

4

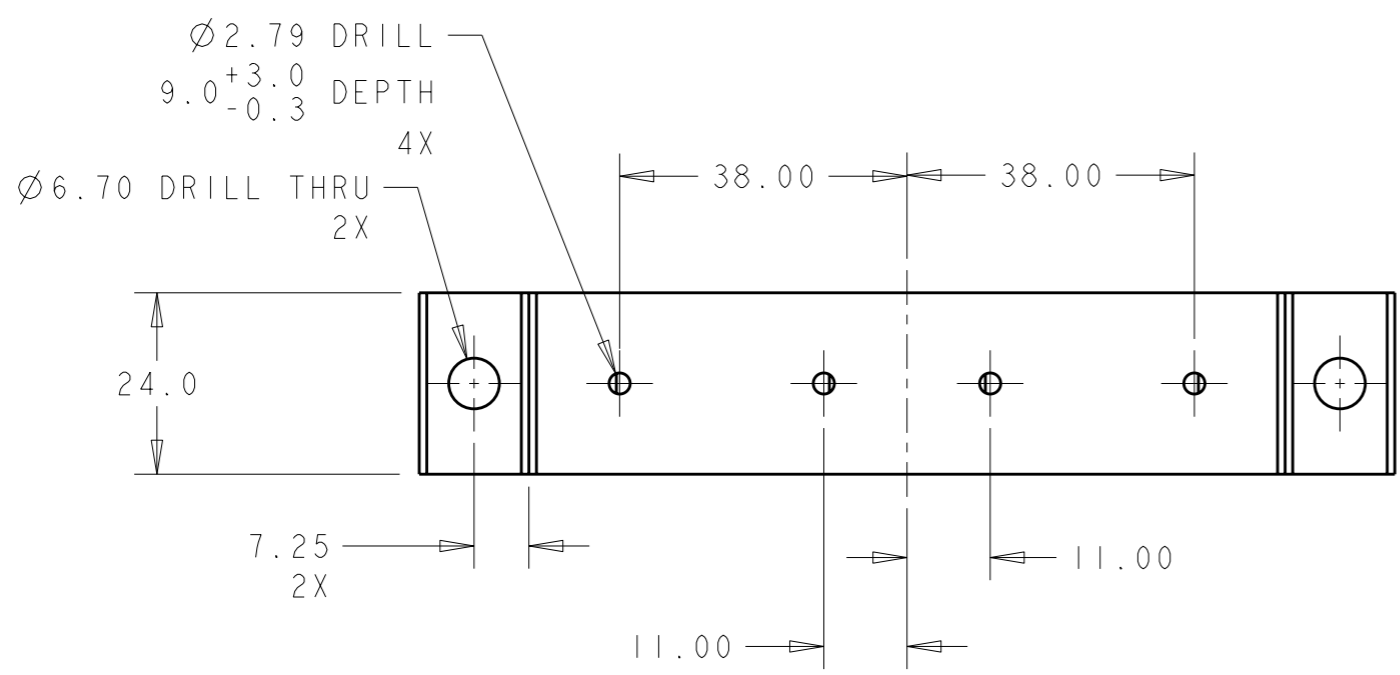
3

2

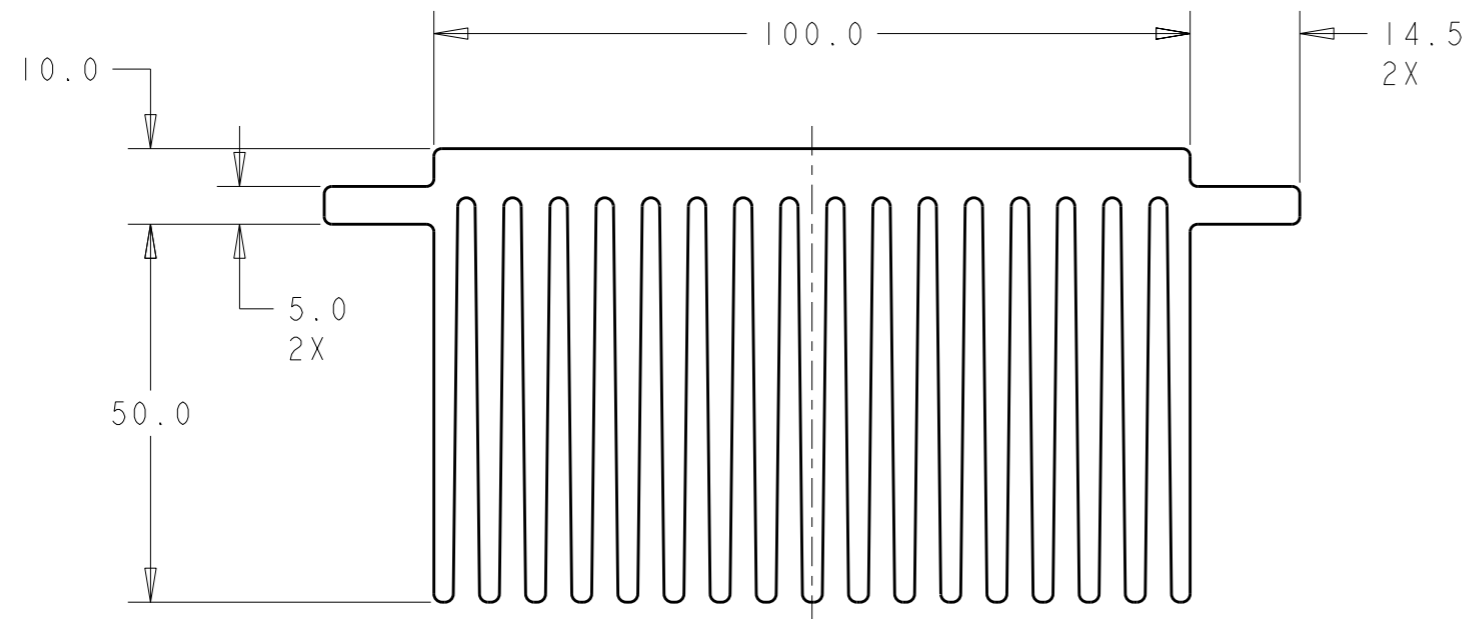
1

THIS DRAWING IS UNPUBLISHED. RELEASED FOR PUBLICATION 20
 © COPYRIGHT 20 BY TYCO ELECTRONICS CORPORATION. ALL INTERNATIONAL RIGHTS RESERVED.

LOC	DIST	REVISIONS					
		P	LTR	DESCRIPTION	DATE	DWN	APVD
-	-		1	PROPOSED	14SEP2010	CD	MM
			2	DRILL DEPTH CHANGED TO 9.0	01DEC2010	CD	MM
			3	OBSOLETE	25JAN2012	MM	MM



△ MATERIAL:
 -HEAT SINK: ALUMINUM
 2. MUST COMPLY WITH DIRECTIVE 2002/95/EC (ROHS)



OBSOLETE

TYCO ELECTRONICS
 CONFIDENTIAL
 AND PROPRIETARY

PROPOSED DESIGN
 NOT PRODUCTION TOOLED

DESIGN IS SUBJECT TO
 CHANGE WITHOUT NOTICE

2154168-1
 PART NUMBER

THIS DRAWING IS A CONTROLLED DOCUMENT FOR TYCO ELECTRONICS CORPORATION IT IS SUBJECT TO CHANGE AND THE CONTROLLING ENGINEERING ORGANIZATION SHOULD BE CONTACTED FOR THE LATEST REVISION.		DWN C. DAILY 14SEP2010	Tyco Electronics Corporation Harrisburg, PA 17105-3608	
DIMENSIONS: mm		CHK MOSTOLLER 14SEP2010	NAME HEAT SINK, 24 X 100 BOARD	
TOLERANCES UNLESS OTHERWISE SPECIFIED: 0 PLC ±- 1 PLC ±0.2 2 PLC ±0.13 3 PLC ±- 4 PLC ±- ANGLES ±3°		APVD -	PRODUCT SPEC -	APPLICATION SPEC -
MATERIAL △	FINISH -	WEIGHT -	SIZE A3	CAGE CODE 00779
CUSTOMER DRAWING		DRAWING NO C-2154168	RESTRICTED TO -	SCALE :
		SHEET :	OF :	REV 3