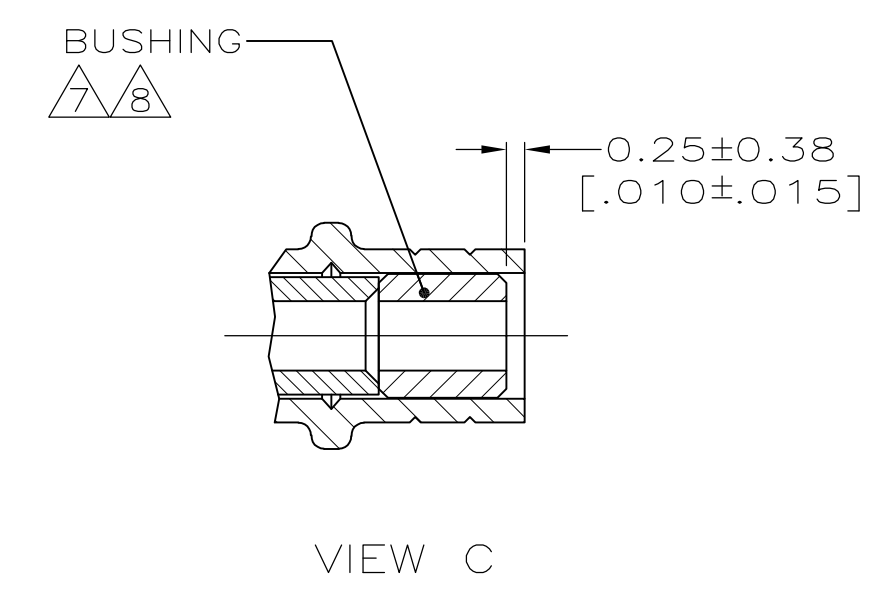
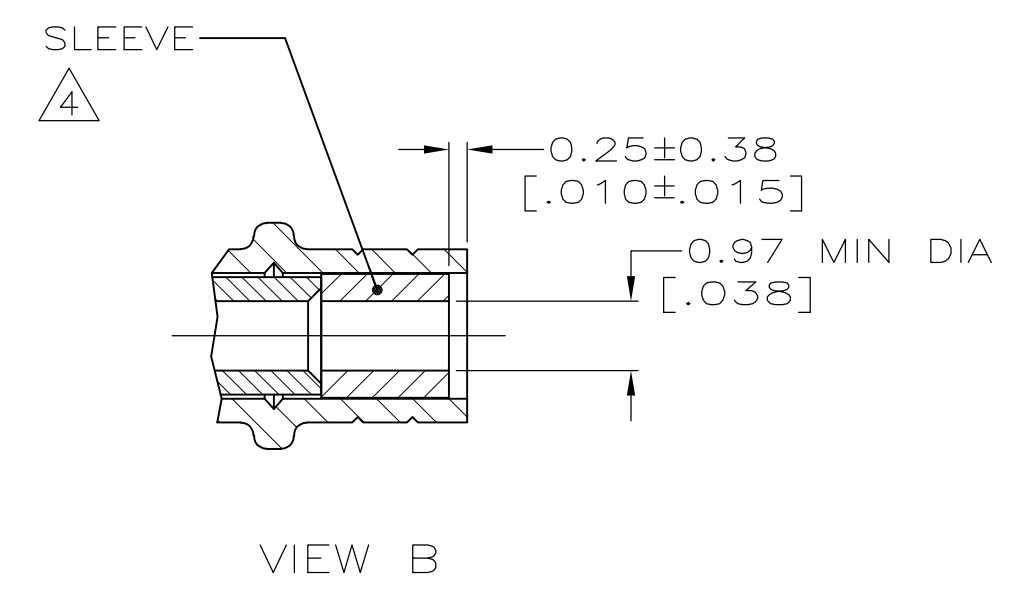
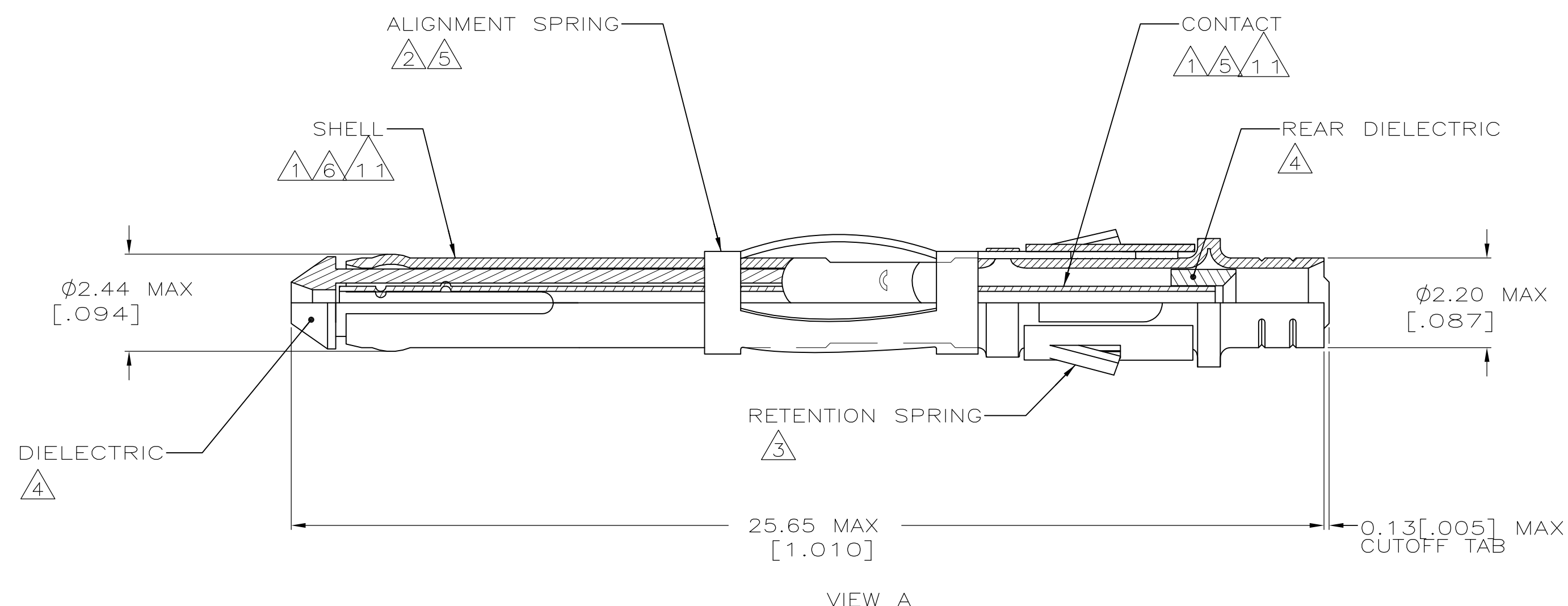


LOC	DIST	REVISIONS			
P	LTR	DESCRIPTION	DATE	OWN	APVD
AJ	16	N1	REVISED PER ECO-11-005030	11MAR11	RK HMR



- 1 GOLD PL PER MIL-G-45204,.000030 ON MATING SURFACES, FLASH ON REMAINDER
- 2 NICKEL PL PER QQ-N-290
- 3 STAINLESS STEEL PER QQ-S-766
- 4 POLYPROPYLENE OR POLYMETHYLPENTENE GENERAL PURPOSE
- 5 BERYLLIUM COPPER PER QQ-C-533
- 6 BRASS PER MIL-C-50
- 7 BRASS PER ASTM-B-135
- 8 TIN PL PER MIL-T-10727
- 9. WEIGHT: .016 OZ
- 10. FOR CABLE SELECTION, FERRULE AND HANDTOOL PART NUMBERS, SEE I.S. 2024-2
- 11 GOLD PL PER MIL-G-45204,.000050 ON MATING SURFACES, FLASH ON REMAINDER

VIEW	FINISH	MATERIAL	PART NUMBER
A	1, 2	3, 4, 5, 6	226537-7
C	1, 2, 8	3, 4, 5, 6, 7	226537-6
B	1, 2	3, 4, 5, 6	226537-5
A	1, 2	3, 4, 5, 6	226537-4
C	1, 2, 8	3, 4, 5, 6, 7	226537-3
B	1, 2	3, 4, 5, 6	226537-2
A	1, 2	3, 4, 5, 6	226537-1

THIS DRAWING IS A CONTROLLED DOCUMENT.

DIMENSIONS: mm [INCHES]	TOLERANCES UNLESS OTHERWISE SPECIFIED: 0 PLC ± - 1 PLC ± - 2 PLC ± - 3 PLC ± - 4 PLC ± - ANGLES ± -	OWN: S.D.KOHL 7-23-91 CHK: B.WERNER 8-1-91 APVD: D.DOYF 8-1-91 NAME: PIN ASSY, SERIES SUBMINIATURE	STE TE Connectivity
MATERIAL: SEE TABLE	FINISH: SEE TABLE	SIZE: A1 CAGE CODE: 00779 DRAWING NO: 226537	RESTRICTED TO: N1

CUSTOMER DRAWING SCALE: 10:1 SHEET: 1 OF 1 REV: N1