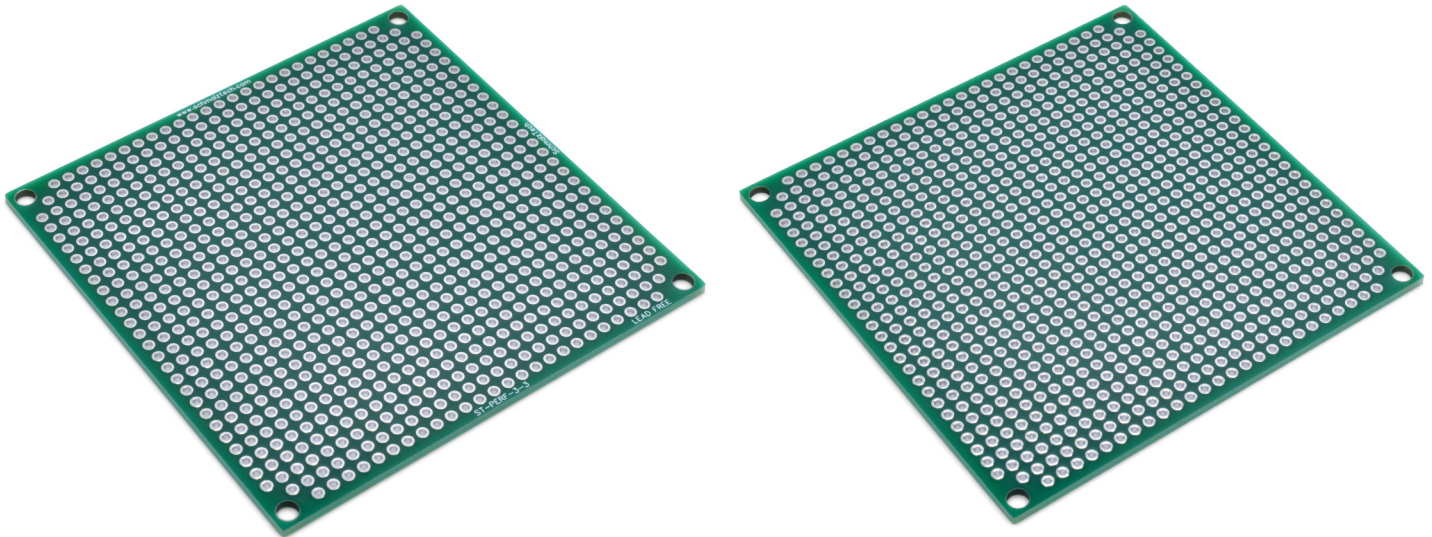




ST-PERF-3-3

3" x 3" Perfboard



- High quality FR4 can withstand high temperature soldering and re-work
- Standard 0.1" pitch holes enable compatibility with a large variety of components
- Each hole is electrically isolated for increased design flexibility
- Four mounting holes allow for easy fixturing

Specifications	
Hole Pitch	0.1"
Hole Diameter	0.040"
Mounting Holes	4x - 0.125"
Lead Free	Yes
Temperature Rating	-30°C to +110°C

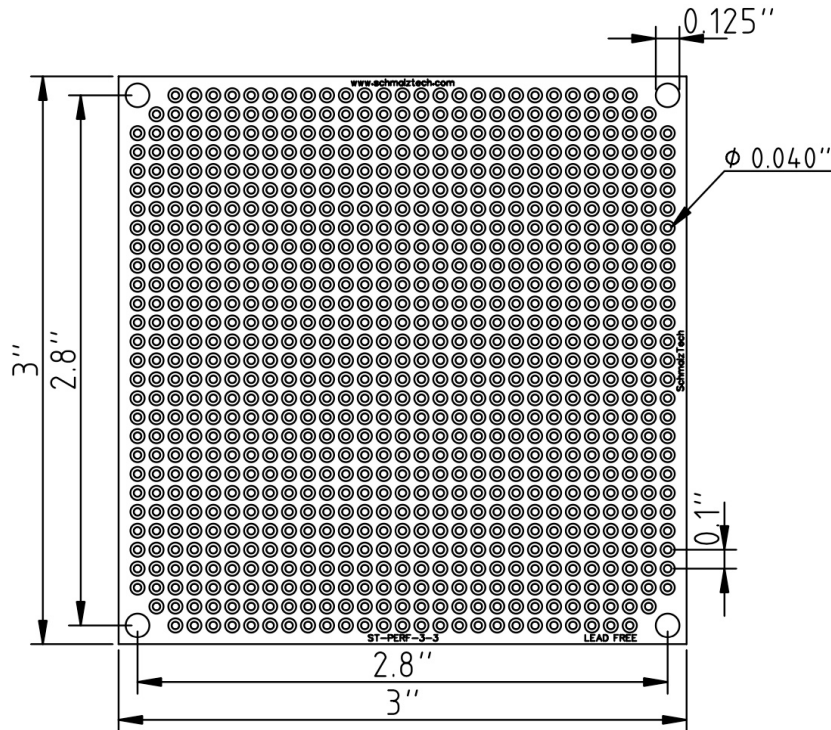
This perfboard is the perfect tool for quickly prototyping an electronic circuit or turning a breadboard prototype into something more permanent. These boards are completely lead free and made from high quality FR4 which can withstand high temperature soldering and re-work. The holes on this prototyping PCB are aligned to a standard 0.1" grid to enable compatibility with a large variety of electronic components. Each hole is electrically isolated to allow for the highest degree of flexibility when laying out a circuit. Using solder, adjacent holes can be bridged to create electrical connections as needed. Both sides of this board have solder mask, making it easier to remove solder bridges when necessary.



ST-PERF-3-3

3" x 3" Perfboard

Mechanical Drawings



Electrical Connections

Each hole of this perfboard is electrically isolated and on a 0.1" grid. Solder can be used to selectively bridge adjacent connections in order to create any circuit.



ST-PERF - Ordering Information

ST-PERF- _____ - _____



Width (inches)

See table below for standard width options

Length (inches)

See table below for standard length options

Standard Sizes

Part #	Length	Width
ST-PERF-1-1	1"	1"
ST-PERF-1-2	1"	2"
ST-PERF-1-3	1"	3"
ST-PERF-1-4	1"	4"
ST-PERF-1-6	1"	6"
ST-PERF-1-8	1"	8"
ST-PERF-2-2	2"	2"
ST-PERF-2-3	2"	3"
ST-PERF-2-4	2"	4"
ST-PERF-2-6	2"	6"
ST-PERF-2-8	2"	8"
ST-PERF-3-3	3"	3"
ST-PERF-3-4	3"	4"
ST-PERF-3-6	3"	6"
ST-PERF-3-8	3"	8"
ST-PERF-4-4	4"	4"
ST-PERF-4-6	4"	6"
ST-PERF-4-8	4"	8"
ST-PERF-6-6	6"	6"
ST-PERF-6-8	6"	8"
ST-PERF-8-8	8"	8"

If you need a size that is not listed on the table above please reach out to us at sales@schmalztech.com. We can create a custom design to meet your exact specifications.



ST-PERF - Ordering Information

Ordering

To order please visit www.schmalztech.com or one of our distributors to quickly place an online order.

Orders may also be placed by email or phone:

Email: sales@schmalztech.com

Phone: +1 (844) 399-9213

Expedited Shipping

If overnight shipping is required please contact us directly so that we can expedite your order. Overnight shipping is provided through UPS and will incur an additional charge

Custom Designs

Can't find what you need? We can design and produce a custom board to fit your exact needs. Please reach out to us for additional information and pricing.