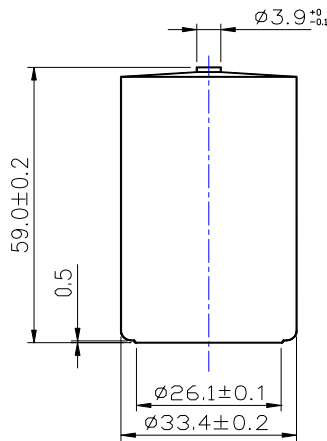


**SPECIFICATIONS**

(Typical values for batteries stored at 20 °C for one year)

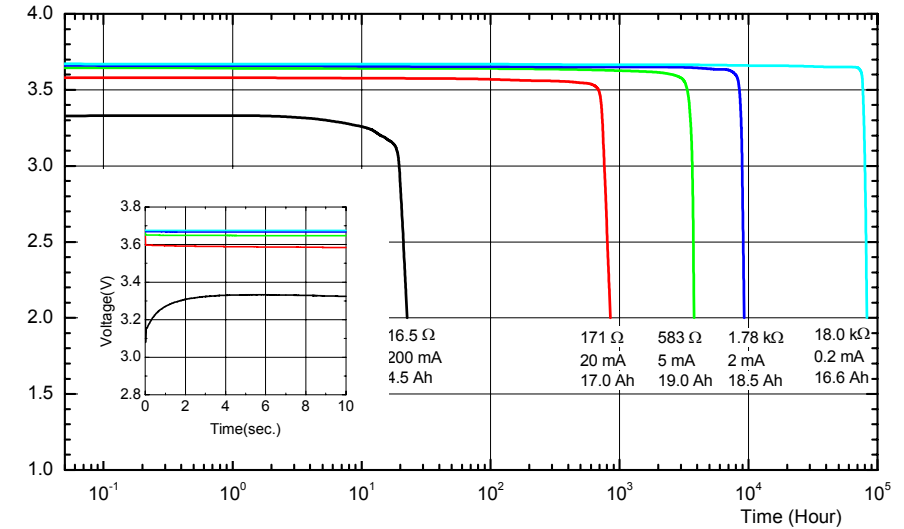
Nominal Capacity (At 5mA/20 °C/68 °F/2.0V Cut-Off)	19 Ah
Open Circuit Voltage (At 20 °C/68 °F)	3.67 V
Nominal Voltage (At 5mA/20 °C/68 °F)	3.6 V
Maximum Continuous Current	230 mA
Maximum Pulse Current Capability	500 mA
Rated 1 Sec. Pulse Capability (To 3V)	100 mA
Operating Temperature Range	-55 ~ 85 °C
Weight	97 g (3.26 oz)
Anode Surface Area	40 cm <sup>2</sup>
Volume	51 cm <sup>3</sup>
Diameter (Max)	33.6 mm
Height (Max)	60 mm

DIMENSIONS IN MM

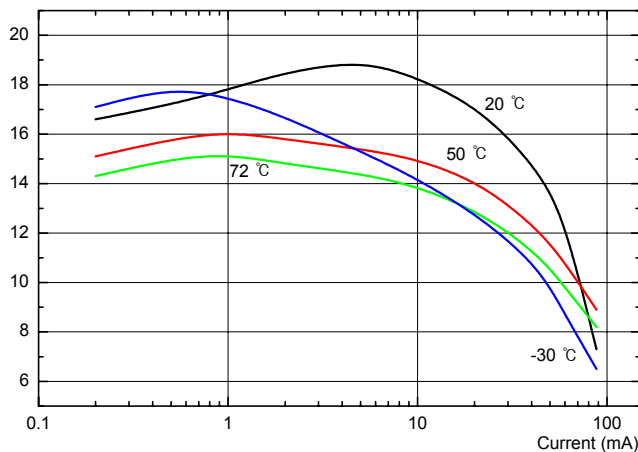


**WARNING**  
Fire, Explosion And Severe Burn Hazard.  
Do Not Recharge, Crush, Disassemble,  
Heat Above 212°F(100°C), Incinerate  
Or Expose Contents To Water

DISCHARGE CHARACTERISTICS AT +20°C



CAPACITY vs. CURRENT



OPERATING VOLTAGE

