



SKY 2 2I110AW

Compact Fanless Embedded Computer with 11th Intel® Tiger Lake-UP3 Processor

■ Features:

- 11th Gen Intel® Tiger Lake-UP3, i7 / i5 / i3 / Celeron CPU
- 1 x DDR4 SODIMM socket, Max. 32GB
- Independent display: 4 x HDMI
- 3 x Intel 2.5 GbE LAN, 2 x USB 3.0, 2 x USB 2.0
- 2 x COM, 2 x M.2, DI/DO, SMBus

■ Specifications :

Motherboard	2I110AW	
CPU	11th Gen Intel® Tiger Lake-UP3, i7 / i5 / i3 / Celeron CPU	
Chipset	Intel Tiger Lake-UP3 SoC	
Memory	1 x DDR4 SODIMM socket, Max. 32GB	
Storage	M.2-SSD*, SATA*	
Expansion slots	1 x M.2 B key Type 3042 (PCIe / USB 3.0 / 2.0), 1 x M.2 M key Type 2242 (PCIe x4–optional to SATA), Support NVMe	
I/O ports	Network	3 x Intel 2.5 GbE
	USB	2 x USB 3.0 ; 2 x USB 2.0
	Serial ports	2 x RS232 / 422 / 485
	Display	4 x HDMI
	DI/DO	4DI / 4DO (optional to HDD)
Optional Modules & Accessory	Converter card CN064 for Wifi 6 Module Converter card CN067 for 4G / 5G Module *Wall Mount Kit, DIN Rail Mounting Kit *SATA Kit (optional to DI/DO)	
OS Support	Windows® 10 IOT (64bit), Ubuntu 18.04.2 above, Fedora 29 above	

■ Mechanical

Dimensions	141W x 111.2D x 71.9H mm
Weight	1.46 kg
Mounting	DIN Rail Mount*, Wall Mount*

■ Power

DC input	Wide Range +9-36V
----------	-------------------

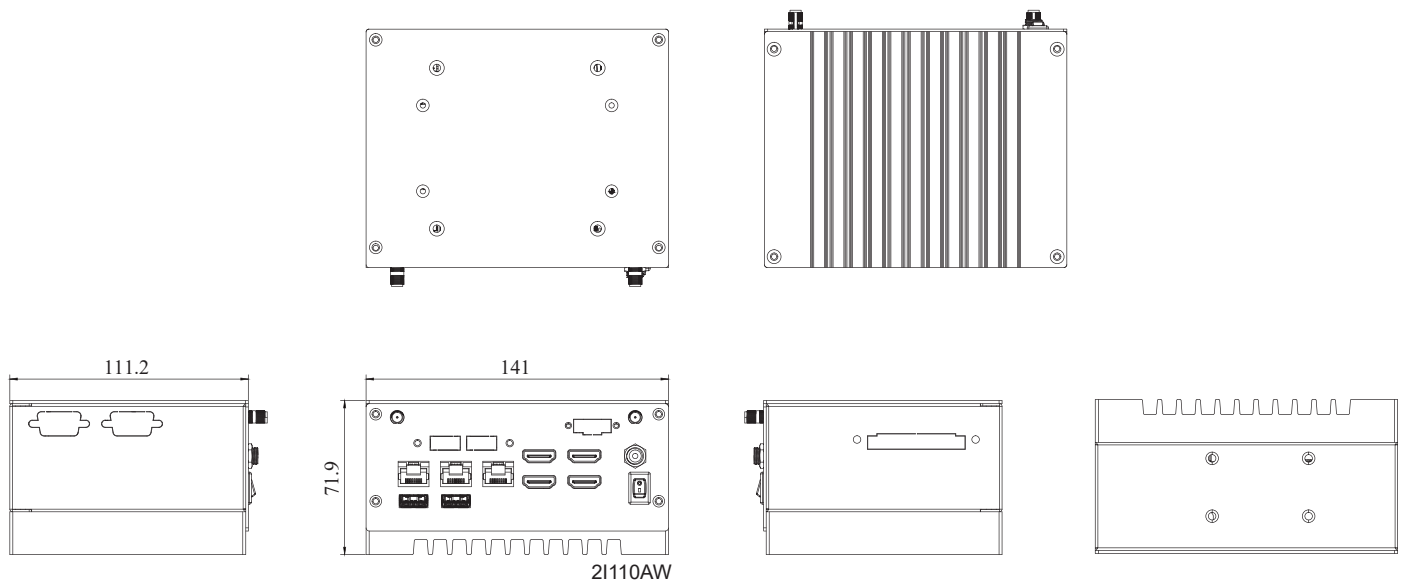
■ Environment

Operating Temp. (100 % CPU usage)	-20°C to +60°C (Core i7 1185GRE)
Storage Temp.	-20°C to +70°C
Relative Humidity	95% @ 40°C, non-condensing

■ Certification

CE / FCC class A	
------------------	--

■ Dimension



Specification are subject to change without prior notice. ODM / OEM is available.