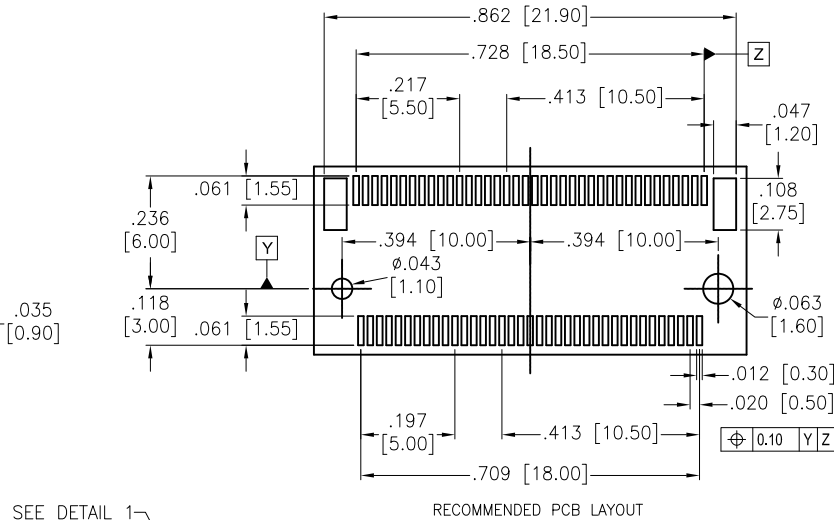
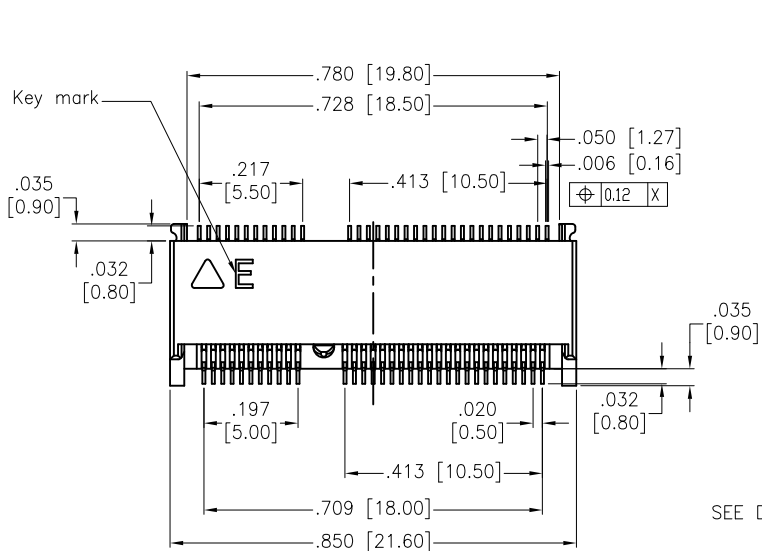
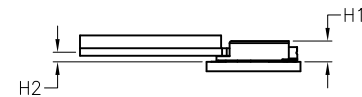
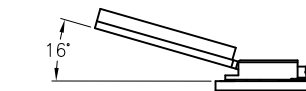
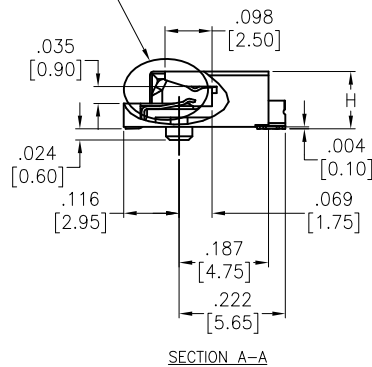


APPROVED: \_\_\_\_\_  
 DATE: \_\_\_\_\_ TITLE: \_\_\_\_\_

Rev	AWO #	Description	Date	Appr
-		RELEASED	12/24/19	
A		ADDED SPEC.	12/9/21	WX/RC



SEE DETAIL 1



MATING CONDITION

PACKAGED ON TAPE & REEL

AWO #	DESCRIPTION	DIM. "H"	DIM. "H1"	DIM. "H2"
M2-A1-67-R-SMT-2.15-KE-T/R	.085 [2.15]	.087 [2.20]	.024 [0.60]	
M2-A1-67-R-SMT-3.10-KE-T/R	.122 [3.10]	.124 [3.15]	.075 [1.90]	
M2-A1-67-R-SMT-4.10-KE-T/R	.161 [4.10]	.163 [4.15]	.114 [2.90]	
ADAM P/N		DIM. "H"	DIM. "H1"	DIM. "H2"

**SPECIFICATIONS:**

Material:  
 Insulator: (LCP) Hi-Temp Thermoplastic, rated UL 94V-0  
 Insulator Color: Black  
 Contacts: Phosphor Bronze  
 Hold down: Brass, Nickel Plated  
 Solder area: Tin plated

**Plating:**

Gold flash over Nickel underplate overall

**Electrical:**

Voltage rating: 50 VAC  
 Current rating: 0.5A / (1Pin)  
 Contact resistance: 55 mohms max  
 Insulation resistance: 500 Mohms min  
 Dielectric withstanding voltage: 300 VAC for 1 minute

**Mechanical:**

Durability: 60 cycles min  
 Insertion force: 20N max  
 Withdrawal force: 25N  
 Temperature Rating:  
 Operating temperature: -40°C to +85°C  
 Environmental:

Lead free, RoHS compliant



UNLESS OTHERWISE SPECIFIED ALL DIMENSIONS ARE INCHES [MM]. TOLERANCES: EXCEPT AS NOTED

INCHES		HOLES	
.X	± .10	Ø.X	± .10
.XX	± .020	Ø.XX	± .015
.XXX	± .015	Ø.XXX	± .010

DRAWN	LH	DATE
		12/24/19
CHECKED	KL	DATE
		12/24/19
APPROVED		

THIS DRAWING CONTAINS INFORMATION THAT IS PROPRIETARY AND SHOULD NOT BE USED WITHOUT PRIOR WRITTEN PERMISSION FROM ADAM TECH



909 Rahway Avenue,  
 Union, NJ 07083  
 Phone: 908-687-5000  
 Fax: 908-687-5710

TITLE  
**M.2 CONNECTOR, 67PINS, SMT TYPE,  
 2.15, 3.10, 4.10mm HEIGHT, E KEY**

SIZE	PART NO.	REV.
X	M2-A1-67-R-SMT-X.XX-KE-T/R	A
REF:	S00275T	SCALE: NTS
		SHEET 1 OF 4

6 5 4 3 2 1

APPROVED: \_\_\_\_\_  
 DATE: \_\_\_\_\_ TITLE: \_\_\_\_\_

Rev	AWO #	Description	Date	Appr
SEE SHT 1 OF 4 FOR REVISION				

FRONT SIDE

22  
 $\phi 3.5 \pm 0.05$   
 $\phi 5.5 \pm 0.1$   
 MECHANICAL GND PAD  
 AREA RESERVED FOR RF RECEPTACLE OR COMPONENTS WHEN NO RF RECEPTACLES USED  
 COMPONENT AREA  
 42(NGFF CARD 42mm TYPE)  
 60(NGFF CARD 60mm TYPE)  
 80(NGFF CARD 80mm TYPE)  
 110(NGFF CARD 110mm TYPE)  
 3.8±0.15  
 2  
 POS. No.75  
 PITCH  
 1.2±0.05  
 2.625  
 10.5  
 19.85±0.15  
 1.25  
 A  
 3.5  
 4  
 B  
 POS. No.1  
 34X0.35±0.04  
 $\phi 0.15 \begin{matrix} C \\ B \\ A \end{matrix}$   
 0.05C

KEY ID "E"  
 RECOMMENDED MODULE LAYOUT  
 GENERAL TOLERANCE ±0.15

1.25±0.1  
 1.25±0.1  
 4MIN.  
 2-20°±5'  
 0.3±0.25  
 0.2 MIN.  
 0.8±0.08  
 -0.15  
 5.2MIN.

BACK SIDE

MECHANICAL GND PAD  
 COMPONENT AREA  
 $\phi 3.5 \pm 0.1$   
 1±0.1  
 2-R0.5  
 POS. No.2  
 1.375  
 2.5  
 10.5  
 PITCH  
 0.5  
 POS. No.74  
 33X0.35±0.04  
 $\phi 0.15 \begin{matrix} C \\ B \\ A \end{matrix}$   
 0.05C

UNLESS OTHERWISE SPECIFIED ALL DIMENSIONS ARE MILLIMETERS. TOLERANCES: EXCEPT AS NOTED

MM	ANGLE
.X ± 0.30	X. ±3°
.XX ± 0.20	.X ±1°
.XXX + 0.10	

DRAWN	LH	12/24/19
CHECKED	KL	12/24/19
APPROVED		

THIS DRAWING CONTAINS INFORMATION THAT IS PROPRIETARY AND SHOULD NOT BE USED WITHOUT PRIOR WRITTEN PERMISSION FROM ADAM TECH

**ADAM TECH**

909 Rahway Avenue,  
 Union, NJ 07083  
 Phone: 908-687-5000  
 Fax: 908-687-5710

TITLE: M.2 CONNECTOR, 67PINS, SMT TYPE, 2.15, 3.10, 4.10mm HEIGHT, E KEY

SIZE	PART NO.	REV.
X	M2-A1-67-R-SMT-X.XX-KE-T/R	A

REF: S00275T SCALE: NTS SHEET 2 OF 4

**RoHS**  
 COMPLIANT

6 5 4 3 2 1

6

5

4

3

2

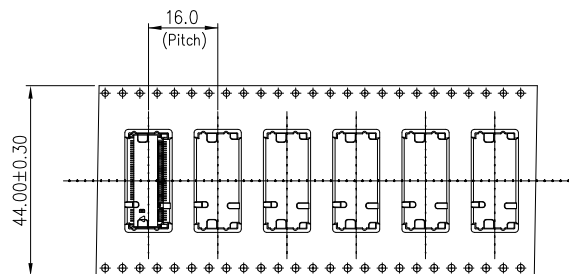
1

APPROVED: \_\_\_\_\_

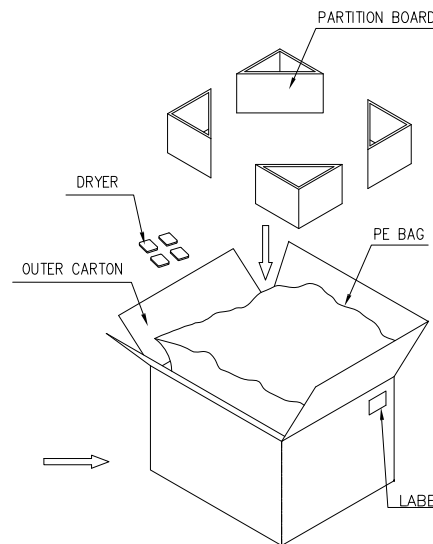
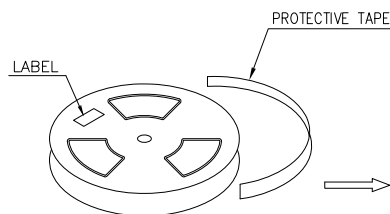
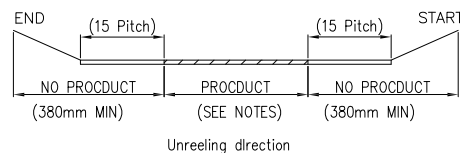
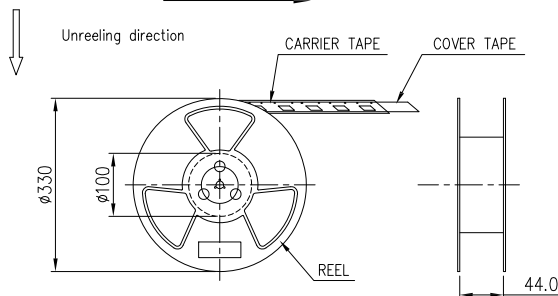
DATE: \_\_\_\_\_ TITLE: \_\_\_\_\_

Rev	AWO #	Description	Date	Appr
-----	-------	-------------	------	------

SEE SHT 1 OF 4 FOR REVISION



M2-A1-67-R-SMT-2.15-KE-T/R



NOTES:

1. PACKING STYLE: 1,200 PCS/REEL  
7,200 PCS/OUTER CARTON
2. MATERIAL: CARRIER TAPE: PS BLACK  
COVER TAPE: PET FILM  
REEL: PLASTIC
3. PEEL STRENGTH OF COVER TAPE: 20~80g  
(PEEL SPEED 300mm/MINUTE)
4. CARTON SIZE: 350x350x320mm
5. G/W: Kg , N/W: Kg

UNLESS OTHERWISE SPECIFIED ALL DIMENSIONS ARE MILLIMETERS. TOLERANCES: EXCEPT AS NOTED		
MM	ANGLE	
.X ± 0.30	X	±3°
.XX ± 0.20	.X	±1°
.XXX + 0.10		
DRAWN	LH	12/24/19
CHECKED	KL	12/24/19
APPROVED		
THIS DRAWING CONTAINS INFORMATION THAT IS PROPRIETARY AND SHOULD NOT BE USED WITHOUT PRIOR WRITTEN PERMISSION FROM ADAM TECH		

<b>ADAM TECH</b>	909 Rahway Avenue, Union, NJ 07083 Phone: 908-687-5000 Fax: 908-687-5710	
	TITLE M.2 CONNECTOR, 67PINS, SMT TYPE, 2.15, 3.10, 4.10mm HEIGHT, E KEY	
SIZE X	PART NO. M2-A1-67-R-SMT-X.XX-KE-T/R	REV. A
REF: S00275T	SCALE: NTS	SHEET 3 OF 4

6

5

4

3

2

1

6 5 4 3 2 1

APPROVED: \_\_\_\_\_  
 DATE: \_\_\_\_\_ TITLE: \_\_\_\_\_

Rev	AWO #	Description	Date	Appr
SEE SHT 1 OF 4 FOR REVISION				

M2-A1-67-R-SMT-3.10-KE-T/R  
 M2-A1-67-R-SMT-4.10-KE-T/R

NOTES:

- PACKING STYLE: A) M2-043X0 (3.1H)  
 900 PCS/REEL  
 5,400 PCS/OUTER CARTON  
 B) M2-044X0 (4.1H)  
 700 PCS/REEL  
 4,200 PCS/OUTER CARTON
- MATERIAL: CARRIER TAPE: PS BLACK  
 COVER TAPE: PET FILM  
 REEL: PLASTIC
- PEEL STRENGTH OF COVER TAPE: 20~80g  
 (PEEL SPEED 300mm/MINUTE)
- CARTON SIZE: 350x350x320mm
- G/W: Kg , N/W: Kg

UNLESS OTHERWISE SPECIFIED ALL DIMENSIONS ARE MILLIMETERS. TOLERANCES: EXCEPT AS NOTED

MM	ANGLE
.X ± 0.30	X. ±3°
.XX ± 0.20	.X ±1°
.XXX + 0.10	

DRAWN	LH	12/24/19
CHECKED	KL	12/24/19
APPROVED		

THIS DRAWING CONTAINS INFORMATION THAT IS PROPRIETARY AND SHOULD NOT BE USED WITHOUT PRIOR WRITTEN PERMISSION FROM ADAM TECH

**ADAM TECH** 909 Rahway Avenue,  
 Union, NJ 07083  
 Phone: 908-687-5000  
 Fax: 908-687-5710

TITLE	M.2 CONNECTOR, 67PINS, SMT TYPE, 2.15, 3.10, 4.10mm HEIGHT, E KEY		
SIZE	PART NO.	REV.	
X	M2-A1-67-R-SMT-X.XX-KE-T/R	A	
REF:	S00275T	SCALE: NTS	SHEET 4 OF 4

6 5 4 3 2 1