

P1-SPM/PIGTAIL-SS085-14

SMP Male to RF Test Probe/Pigtail (no connector) cable assembly, SS085 flex cable (0.104 inch OD), 14 inch. Connector is SMP male bulkhead . Trimmed Pigtail end to expose dielectric and center contact. Frequency DC to 12 GHz. Max VSWR 1.40.

Product Features

- SMP Male to Pigtail (no connector) cable assembly, SS085 flex cable (0.104 inch OD), 14 inch.
- Connector is SMP male bulkhead .
- Trimmed Pigtail end to expose dielectric and center contact.
- Frequency DC to 12 GHz. Max VSWR 1.40.



Electrical Specification: T_{Ambient} = 25° C

Parameter	Frequency Range	Units	Min	Typical	Max	Notes
Frequency Range		GHz	DC		12.0	

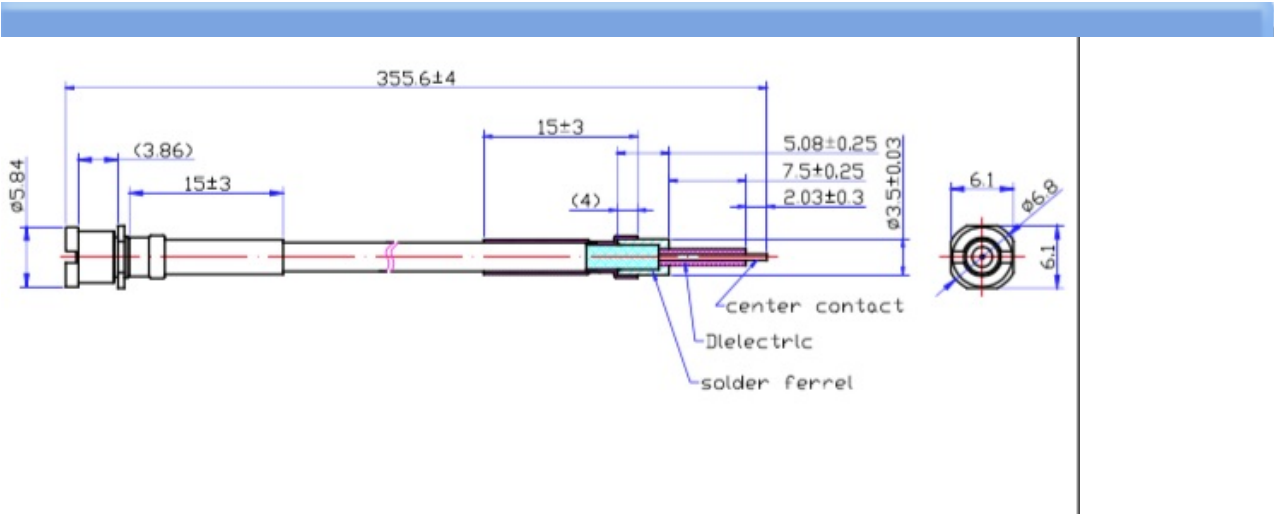
Mechanical And Environmental Specifications:

Parameter	Description	Notes
Connector 1	SMP Male	
Connector 2	Pigtail - No Connector	
Coax Cable	Trimmed end	
Cable Type	SS085	
Length	14.0	
RoHS Compliance	Yes	

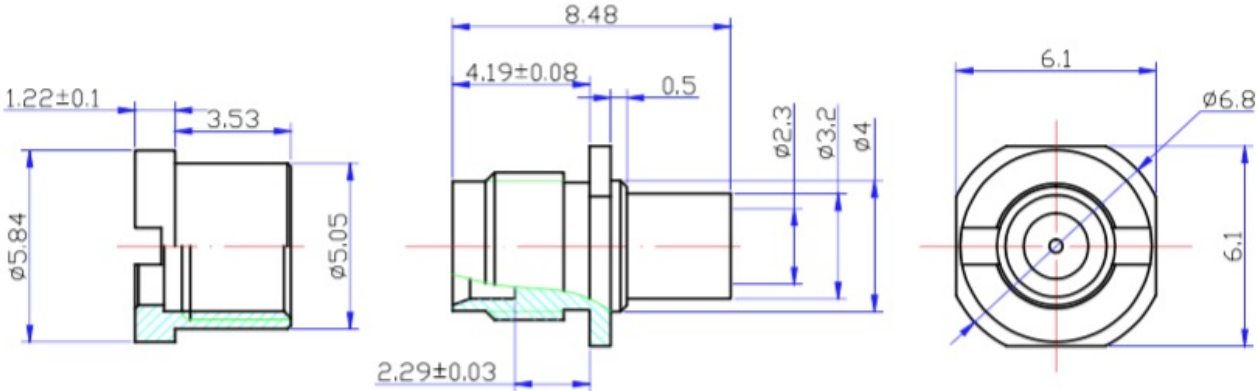
Drawing

P1-SPM/PIGTAIL-SS085-14

SMP Male to RF Test Probe/Pigtail (no connector) cable assembly, SS085 flex cable (0.104 inch OD), 14 inch. Connector is SMP male bulkhead . Trimmed Pigtail end to expose dielectric and center contact. Frequency DC to 12 GHz. Max VSWR 1.40.



Graph



Product Notes