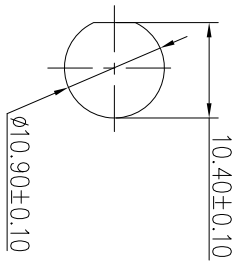
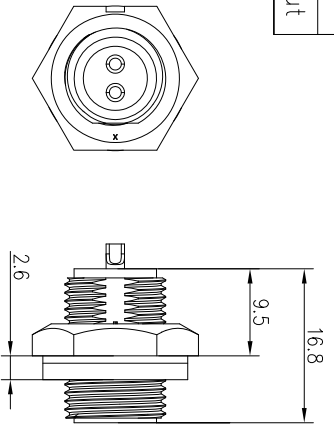


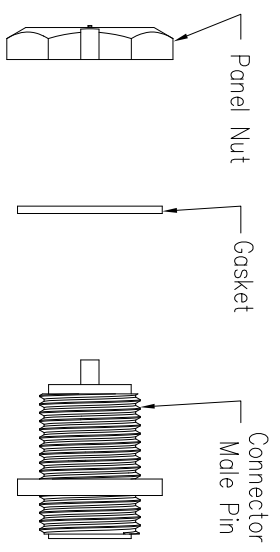
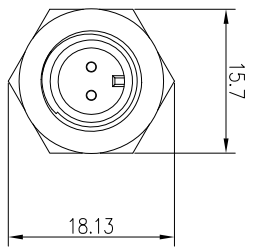
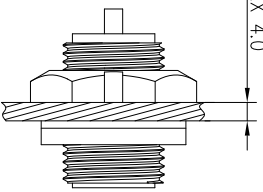
| REV. | ECN NO. | DESCRIPTION | SIGN | DATE |
|------|---------|-----------------|---------|------------|
| C1 | N/A | INITIAL DRAWING | Victory | 2019/08/23 |
| | | | | |



Recommended Panel Cut-out



Panel T. MAX 4.0

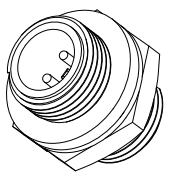


21XXX515-03

Pin Number

| | | | |
|-------|------------------|------------------|------------------|
| 2 Pin | P/N: 21002515-03 | P/N: 21003515-03 | P/N: 21004515-03 |
| 3 Pin | | | |
| 4 Pin | | | |

Pin Assignments Front View



- Specification:
1. Operation Temperature: -45°C~105°C.
 2. Insulation Resistance: 100MΩ at DC 500V.
 3. Contact Resistance: <10mΩ.
 4. Withstand Voltage: 1500V AC.
 5. Operating Current: 5A.
 6. Operating Voltage: AC 110V.
 7. Waterproof Rate: IP67(Mated).
 8. Connector: Nylon+GF, Black.
 9. Panel Nut: Nylon, Black.
 10. Gasket: Silicon, Gray.
 11. Male Pin: Copper Alloy Gold Plated.
 12. Torque Rate: 0.5~0.7N • m.
 13. RoHS Compliant.
 14. UL Compliant.
 15. Mating Cap P/N: 806-00028-00

| | | | |
|-----------|-------|---------------------|---|
| UNIT: mm | | DESCRIPTION | Mini Series Screw Type Rear Mount With Male Pin |
| TOLERANCE | | SCALE | 4:5 |
| .X | ±0.25 | REV | C1 |
| .XX | ±0.15 | SIZE | A4 |
| .XXX | ±0.05 | SHEET | 1 OF 1 |
| ANGLES | ±1° | * : Inspection Item | |

| | | | | | |
|---------|-------------|----------|---------|------|------------|
| PART NO | 21XXX515-03 | DRAWN BY | Victory | DATE | 2019/08/23 |
|---------|-------------|----------|---------|------|------------|

| | | | | | |
|--------|--|------------|------|------|------------|
| DWG NO | | CHECKED BY | Ivan | DATE | 2019/08/23 |
|--------|--|------------|------|------|------------|

| | | | | | |
|----------|--|-------------|--------|------|------------|
| CUSTOMER | | APPROVED BY | Ponson | DATE | 2019/08/23 |
|----------|--|-------------|--------|------|------------|

CHOGORI