

Product Specification

NHD-5.0-800480FT-CTXL-CTP

EVE2 TFT Liquid Crystal Display Module

| | |
|----------------|---|
| NHD- | Newhaven Display |
| 5.0- | 5.0" Diagonal |
| 800480- | 800xRGBx480 Pixels |
| FT- | Model |
| C- | On-board Controller |
| T- | White LED Backlight |
| X- | TFT |
| L- | MVA, Enhanced Optical Characteristics, Wide Temperature |
| CTP- | Capacitive Touch Panel |

Table of Contents

| | |
|--|----|
| Document Revision History..... | 3 |
| Mechanical Drawing | 4 |
| Schematic..... | 5 |
| Pin Description | 6 |
| Controller Information..... | 6 |
| Display Information..... | 6 |
| Arduino Application..... | 6 |
| Electrical Characteristics | 7 |
| Optical Characteristics | 7 |
| Capacitive Touch Panel Material Characteristics..... | 7 |
| Backlight Driver Configuration | 7 |
| FT81x Block Diagram | 8 |
| Serial Host Interface | 8 |
| TFT Timing Characteristics | 9 |
| Graphics Engine | 9 |
| Touch-Screen Engine | 10 |
| Audio Engine | 10 |
| Audio Filter and Amplifier Reference Circuit..... | 11 |
| Additional Information/Resources | 12 |
| Quality Information | 13 |

Additional Resources

- **Support Forum:** <https://support.newhavendisplay.com/hc/en-us/community/topics>
- **GitHub:** <https://github.com/newhavendisplay>
- **Example Code:** <https://support.newhavendisplay.com/hc/en-us/categories/4409527834135-Example-Code/>
- **Knowledge Center:** https://www.newhavendisplay.com/knowledge_center.html
- **Quality Center:** https://www.newhavendisplay.com/quality_center.html
- **Precautions for using LCDs/LCMs:** <https://www.newhavendisplay.com/specs/precautions.pdf>
- **Warranty / Terms & Conditions:** <https://www.newhavendisplay.com/terms.html>

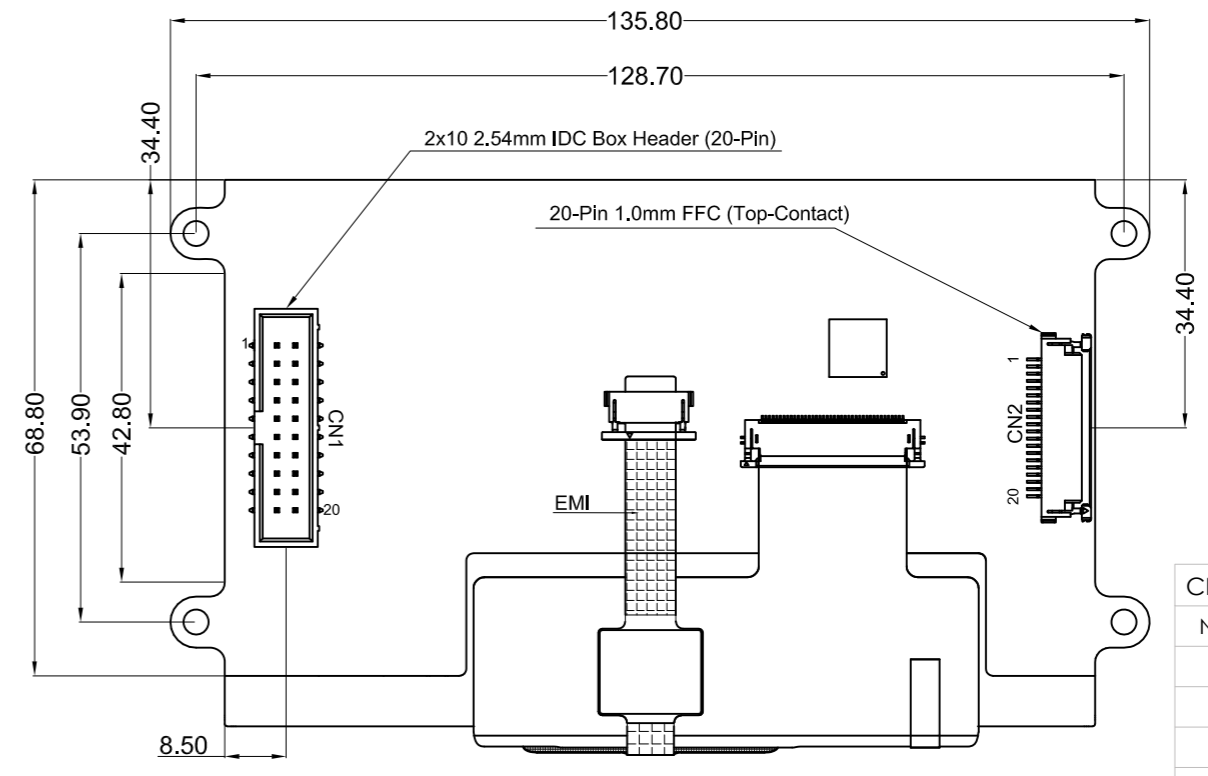
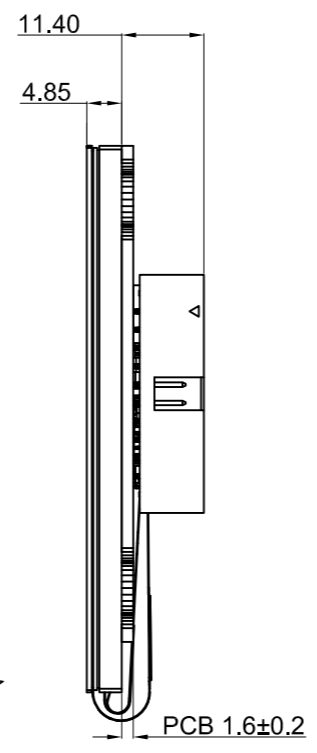
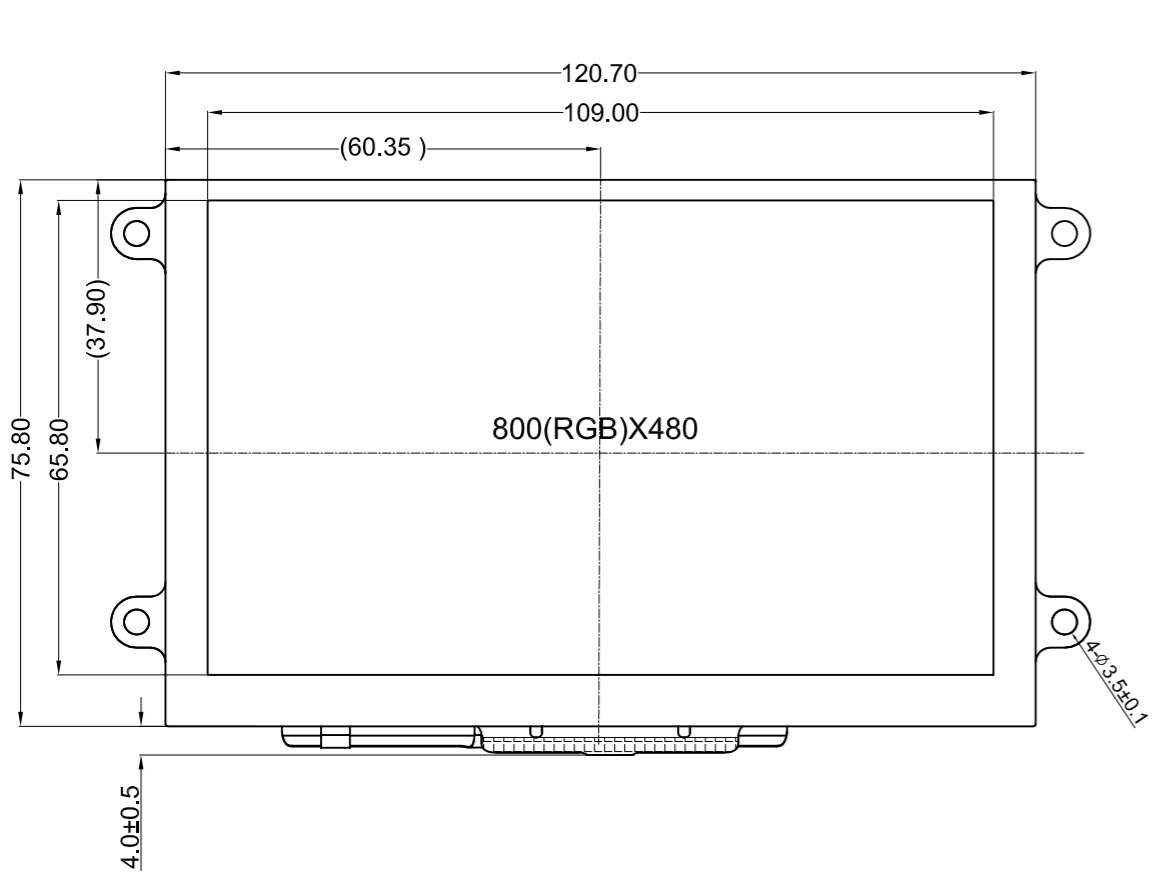


Document Revision History

| Revision | Date | Description | Changed By |
|----------|------------|---|------------|
| - | 09/27/2017 | Initial Release | PB, ML |
| 1 | 05/08/2020 | Updated Luminance, Viewing Angles, Static Electricity Test Conditions and 2D Drawing | AS |
| 2 | 10/26/2021 | CTP IC Updated | ZP |
| 3 | 08/09/2022 | Updated Mechanical Drawing, Updated CTP IC to FT5426DQ8-003, Updated CTP transmittance, Updated TFT luminance | CJ |
| 4 | 08/31/2022 | Updated Backlight PWM Frequency Range, Updated Schematic to show new LED driver IC and auxiliary components. | TM |

Mechanical Drawing

| SYMBOL | REVISION | DATE |
|--------|----------|------|
| | | |
| | | |



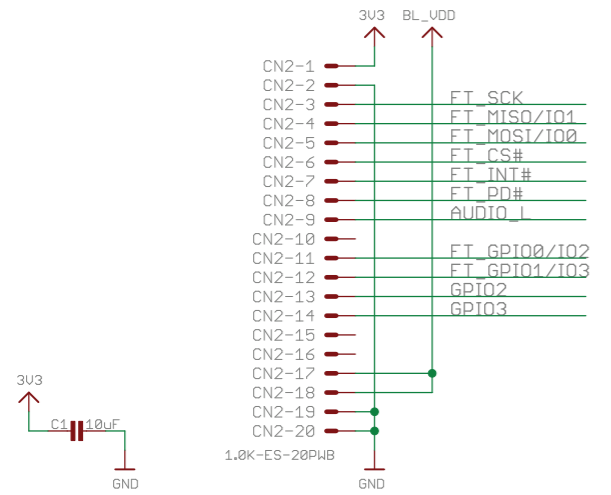
| CN1/CN2 Pinout | |
|----------------|-----------|
| NO. | Symbol |
| 1 | VDD |
| 2 | GND |
| 3 | SCK |
| 4 | MISO/IO1 |
| 5 | MOSI/IO0 |
| 6 | /CS |
| 7 | /INT |
| 8 | /PD |
| 9 | AUDIO_L |
| 10 | NC |
| 11 | GPIO0/IO2 |
| 12 | GPIO1/IO3 |
| 13 | GPIO2 |
| 14 | GPIO3 |
| 15 | NC |
| 16 | NC |
| 17 | VBL |
| 18 | VBL |
| 19 | GND |
| 20 | GND |

- Product Description: 7" Standard EVE2 TFT Module w/ Capacitive Touch**
- TFT Driver IC: Bridgetek FT813 Embedded Video Engine (EVE2)
 - TFT Interface: SPI (D-SPI, Q-SPI modes available)
 - Optical Features: Full View, Normally Black, Transmissive, 527 cd/m²
 - CN1 Connector: Male IDC Box Header; 20-pin, 2x10, 2.54mm pitch
 - CN2 Connector: Top-contact FFC Connector; 20-pin, 1.00mm pitch
 - EMI Shielding
 - On-board SGM3766YTN5G High Efficiency, High Current LED Driver w/

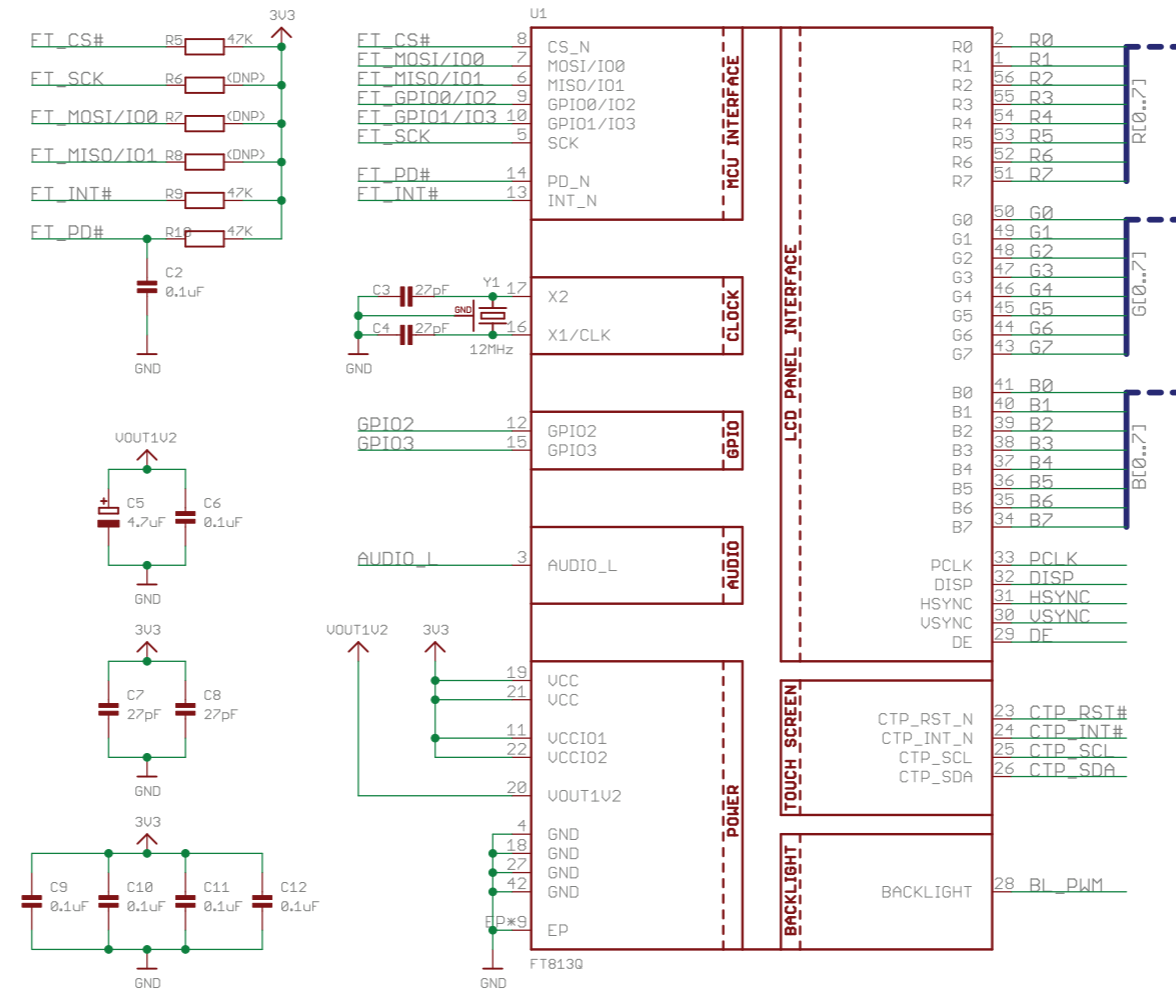
Improper handling of the FPC connections at the bottom edge of this module may cause damage resulting in display or touch failure. Take special care when handling this area of the display module to make sure these connections are never strained nor creased.

| | | |
|---|--|---------------------------|
| Standard Tolerance: (Unless otherwise specified) Linear: ±0.3mm | | |
| | Drawing/Part Number: NHD-5.0-800480FT-CTXL-CTP | Revision: - |
| Unless otherwise specified: • Dimensions are in Millimeters • Third Angle Projection | Drawn By: C. Johnson | Approved By: C. Johnson |
| | Drawn Date: 08/09/2022 | Approved Date: 08/09/2022 |
| Do Not Scale Drawing | | Sheet 1 of 1 |
| This drawing is solely the property of Newhaven Display International, Inc. The information it contains is not to be disclosed, reproduced or copied in whole or part without written approval from Newhaven Display. | | |

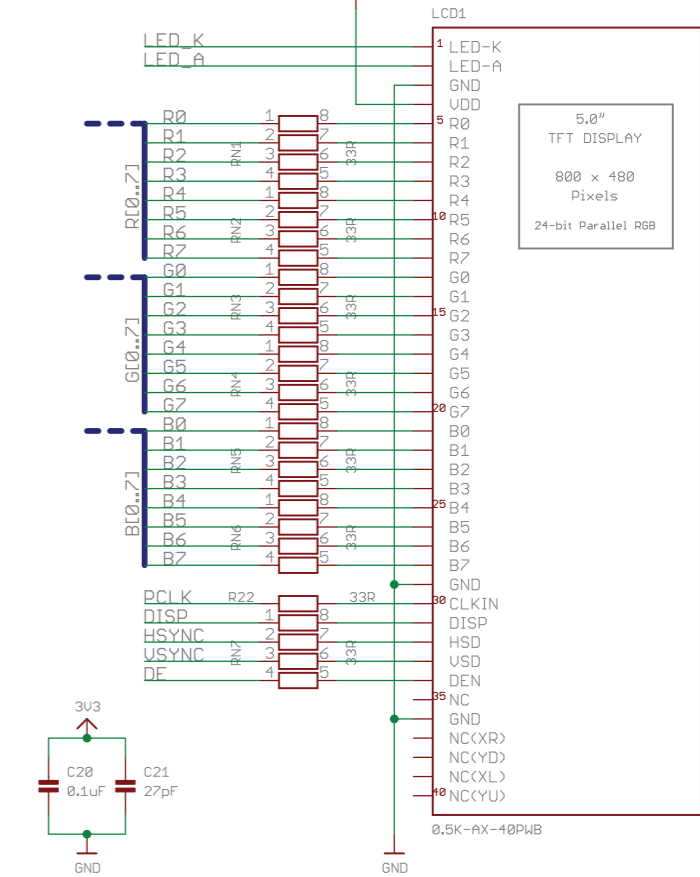
20-Pin 1.0mm FFC (Bottom Contact)



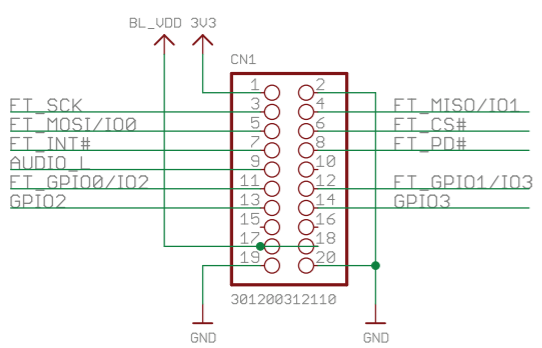
FTDI FT813Q (24 bit RGB Capacitive Touch)



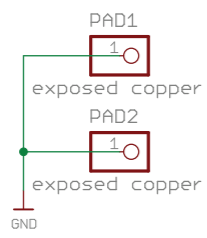
LCD Interface



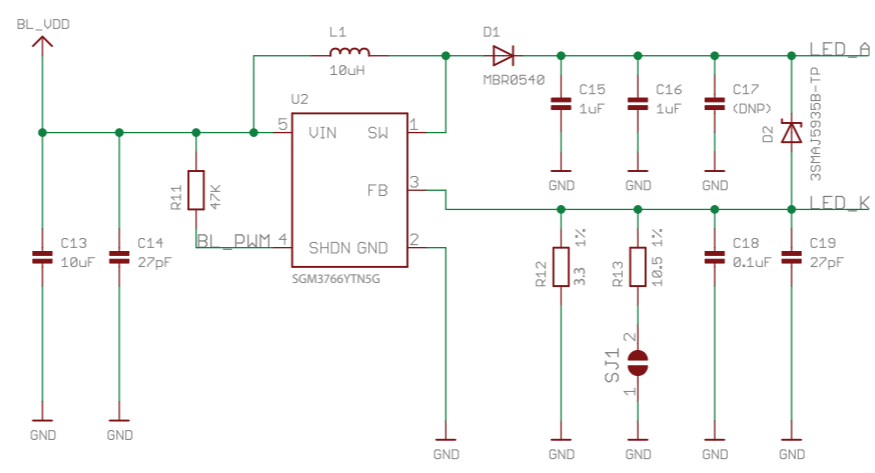
2x10 2.54mm IDC Box Header (20 Pin)



Exposed Pads to Ground TFT Bezel

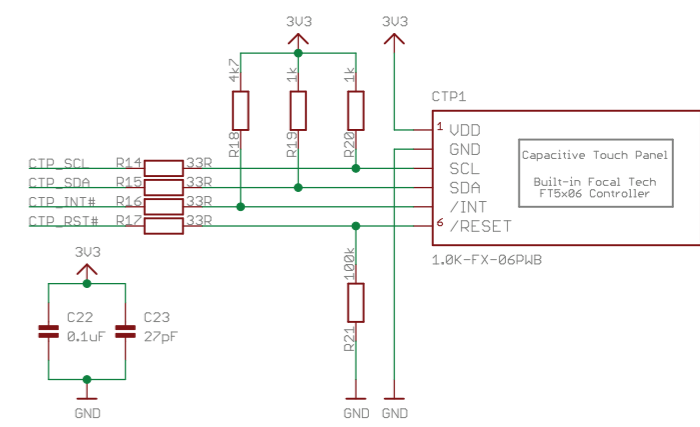
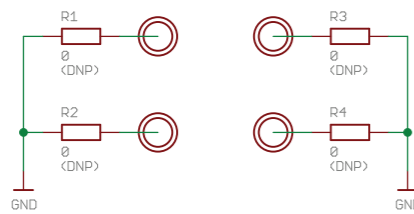


Backlight



| Backlight Configuration | | |
|-------------------------|-------|--------------------|
| Current | SJ1 | Display |
| ~60mA | Open | ATXL# |
| ~90mA | Close | ASXU#, ASXN#, ASXP |

Mounting Holes 3.5mm Plated



NEWHAVEN DISPLAY INTERNATIONAL

SCHEMATIC/PART NUMBER: NHD-5.0C-FT813 Controller Board

REVISION: -

SIZE: A3

DRAWN BY: C. Johnson

CHECKED BY: C. Johnson

DRAWN DATE: 08/26/2022

CHECKED DATE: 08/26/2022

SHEET: 1 of 1

Released under the Creative Commons Attribution Share-Alike 4.0 License

<http://creativecommons.org/licenses/by-sa/4.0>

open source hardware

Pin Description

| Pin No. | Symbol | External Connection | Function Description |
|---------|-----------|---------------------|--|
| 1 | VDD | Power Supply | Input Voltage for TFT and FT81x (3.3V) |
| 2 | GND | Power Supply | Ground |
| 3 | SCK | MCU | SPI Clock (Input) |
| 4 | MISO/IO1 | MCU | SPI MISO (Output) / Quad-SPI mode: SPI data line 1 |
| 5 | MOSI/IO0 | MCU | SPI MOSI (Input) / Quad-SPI mode: SPI data line 0 |
| 6 | /CS | MCU | SPI Chip Select (Input), Active LOW |
| 7 | /INT | MCU | Interrupt to host (Output), Active LOW |
| 8 | /PD | MCU | Power Down control (Input), Active LOW |
| 9 | AUDIO_L | Filter/Amplifier | Audio PWM out (Output) |
| 10 | N.C. | - | No Connect |
| 11 | GPIO0/IO2 | MCU | General Purpose IO0 / SPI Quad mode: SPI data line 2 |
| 12 | GPIO1/IO3 | MCU | General Purpose IO1 / SPI Quad mode: SPI data line 3 |
| 13 | GPIO2 | MCU | General Purpose IO2 |
| 14 | GPIO3 | MCU | General Purpose IO3 |
| 15 - 16 | N.C. | - | No Connect |
| 17 - 18 | VBL | Power Supply | Input Voltage for LED Backlight Driver (3.3V/5V) |
| 19 - 20 | GND | Power Supply | Ground |

CN1: Male IDC Box Header - 20-Pin, 2x10, 2.54mm pitch.

CN2: FFC Connector - 20-Pin, 1.0mm pitch, Top-contact.

NOTICE: It is not recommended to apply power to the board without a display connected. Doing so may result in a damaged LED driver circuit. Newhaven Display does not assume responsibility for failures due to this damage.

Controller Information

This EVE2 TFT Module is powered by the FTDI/Bridgetek FT813 Embedded Video Engine (EVE2).

To view the full FT81x specification, please download it by accessing the link below:

<https://support.newhavendisplay.com/hc/en-us/articles/6963170802839-FT81x>

Display Information

| Part Number | Display Type | Luminance Rating | Viewing Angle | Interface |
|----------------------------|--------------|-----------------------|----------------|------------|
| NHD-5.0-800480TF-ATXL#-CTP | Premium MVA | 527 cd/m ² | 70° all angles | 24-Bit RGB |

This product consists of the above TFT display assembled with a PCB which supports all the features of this module.

For more details on the TFT display itself, please download the specification at:

<https://newhavendisplay.com/content/specs/NHD-5.0-800480TF-ATXL-CTP.pdf>

Arduino Application

If using or prototyping this EVE2 TFT Module with the low-cost, widely popular Arduino platform we highly recommend using our Arduino shield, the NHD-FT81x-SHIELD. Not only does the NHD-FT81x-SHIELD provide seamless connectivity and direct software compatibility for the user, but it also comes with the following useful features on-board:

- logic level shifters to allow the 5V Arduino to communicate with the 3.3V FT81x
- regulators to allow the Arduino to output more current to the EVE2 TFT Module
- audio filter/amplifier circuit to utilize the EVE2 TFT Module's audio output signal
- microSD card slot, which allows expandable storage for data such as images, video, and audio to be stored.

Please visit the NHD-FT81x-SHIELD product webpage for more info.



Electrical Characteristics

| Item | Symbol | Condition | Min. | Typ. | Max. | Unit |
|---|------------------|------------------------|----------------------|------|--------|------|
| Operating Temperature Range | T _{OP} | Absolute Max | -20 | - | +70 | °C |
| Storage Temperature Range | T _{ST} | Absolute Max | -30 | - | +80 | °C |
| Supply Voltage | V _{DD} | - | 3.0 | 3.3 | 3.6 | V |
| Supply Current | I _{DD} | V _{DD} = 3.3V | - | 100 | - | mA |
| "H" Level Input | V _{IH} | - | 2.0 | - | - | V |
| "L" Level Input | V _{IL} | - | - | - | 0.8 | V |
| "H" Level Output | V _{OH} | - | V _{DD} -0.4 | - | - | V |
| "L" Level Output | V _{OL} | - | - | - | 0.4 | V |
| Supply Voltage for LED Backlight Driver | V _{BL} | - | 2.8 | 3.3 | 5.5 | V |
| Supply Current for LED Backlight Driver | I _{BL} | V _{BL} = 3.3V | - | 590 | - | mA |
| | I _{BL} | V _{BL} = 5.0V | - | 260 | - | mA |
| Backlight PWM Frequency | f _{PWM} | - | 800 | - | 10,000 | Hz |

Optical Characteristics

| Item | | Symbol | Condition | Min. | Typ. | Max. | Unit |
|------------------------|-------------|---------------------------------|------------------------|------|------|------|-------------------|
| Optimal Viewing Angles | Top | φY+ | CR ≥ 10 | - | 70 | - | ° |
| | Bottom | φY- | | - | 70 | - | ° |
| | Left | θX- | | - | 70 | - | ° |
| | Right | θX+ | | - | 70 | - | ° |
| Contrast Ratio | | CR | - | 400 | 500 | - | - |
| Luminance | | L _v | - | 400 | 500 | - | cd/m ² |
| Response Time | Rise + Fall | T _R + T _F | T _{OP} = 25°C | - | 20 | 30 | ms |

Capacitive Touch Panel Material Characteristics

| Property | Value | Unit |
|----------------------|---------------|------|
| IC | FT5426DQ8-003 | - |
| ITO Glass thickness | 0.55 | mm |
| Cover Lens Thickness | 0.70 | mm |
| Surface Hardness | ≥6 | H |
| Light transmission | ≥85% | - |
| Operating Humidity | 20~90 | RH |
| Storage Humidity | 20~90 | RH |

Backlight Driver Configuration

The Backlight Driver Enable signal is connected to the FT81x backlight control pin. This signal is controlled by two registers: REG_PWM_HZ and REG_PWM_DUTY. **REG_PWM_HZ** specifies the PWM output frequency – the range available on the FT81x is 250 to 10KHz and the on-board backlight driver's PWM frequency is 800 to 100KHz. Therefore, for proper use of the PWM function available on this module, the PWM frequency should not go below 800 or exceed 10KHz.

REG_PWM_DUTY specifies the duty cycle – the range is 0 to 128. A value of 0 turns the backlight completely off, while a value of 128 provides maximum backlight brightness.

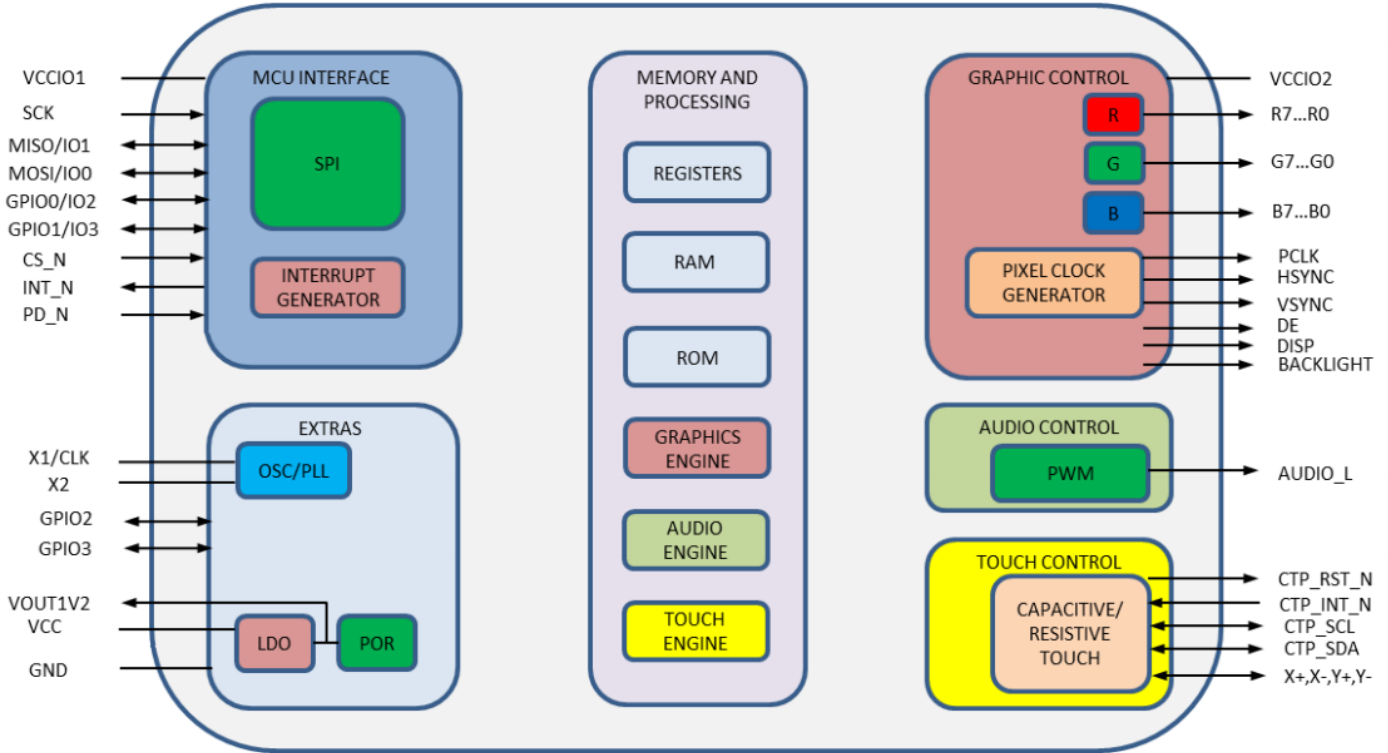
For the above register definitions, please refer to pages 80-81 of the official FT81x Series Programmers Guide:

http://www.ftdichip.com/Support/Documents/ProgramGuides/FT81X_Series_Programmer_Guide.pdf



FT81x Block Diagram

FT81x with EVE (Embedded Video Engine) technology simplifies the system architecture for advanced Human Machine Interfaces (HMIs) by providing support for display, touch, and audio as well as an object oriented architecture approach that extends from display creation to the rendering of the graphics.



Serial Host Interface

By default the SPI slave operates in the SINGLE channel mode with MOSI as input from the master and MISO as output to the master. DUAL and QUAD channel modes can be configured through the SPI slave itself. To change the channel modes, write to register REG_SPI_WIDTH. Please refer to the table below:

| REG_SPI_WIDTH[1:0] | Channel Mode | Data Pins | Max Bus Speed |
|--------------------|------------------|--------------------|---------------|
| 00 | SINGLE (default) | MISO, MOSI | 30MHz |
| 01 | DUAL | IO0, IO1 | 30MHz |
| 10 | QUAD | IO0, IO1, IO2, IO3 | 25MHz |
| 11 | Reserved | - | - |

For more details on the FT81x SPI interface, please refer to pages 13-15 of the official FT81x Datasheet:
<https://support.newhavendisplay.com/hc/en-us/articles/6963170802839-FT81x>

For the REG_SPI_WIDTH register definition, please refer to page 87 of the official FT81x Series Programmers Guide:
http://www.ftdichip.com/Support/Documents/ProgramGuides/FT81X_Series_Programmer_Guide.pdf

TFT Timing Characteristics

Shown below are the FT81x registers that control the TFT's timing (clock and sync signals), along with the values recommended to use for this EVE2 TFT Module:

Horizontal Timing

| Register | Value |
|-------------|-------|
| REG_HSIZE | 800 |
| REG_HCYCLE | 928 |
| REG_HOFFSET | 88 |
| REG_HSYNC0 | 0 |
| REG_HSYNC1 | 48 |

Vertical Timing

| Register | Value |
|-------------|-------|
| REG_VSIZE | 480 |
| REG_VCYCLE | 525 |
| REG_VOFFSET | 32 |
| REG_VSYNC0 | 0 |
| REG_VSYNC1 | 3 |

Clock Settings

| Register | Value |
|--------------|-------|
| REG_PCLK | 2 |
| REG_SWIZZLE | 0 |
| REG_PCLK_POL | 0 |
| REG_CSPREAD | 1 |
| REG_DITHER | 1 |

Graphics Engine

The graphics engine executes the display list once for every horizontal line. It executes the primitive objects in the display list and constructs the display line buffer. The horizontal pixel content in the line buffer is updated if the object is visible at the horizontal line.

Main features of the graphics engine are:

- The primitive objects supported by the graphics processor are: lines, points, rectangles, bitmaps (comprehensive set of formats), text display, plotting bar graph, edge strips, and line strips, etc.
- Operations such as stencil test, alpha blending and masking are useful for creating a rich set of effects such as shadows, transitions, reveals, fades and wipes.
- Anti-aliasing of the primitive objects (except bitmaps) gives a smoothing effect to the viewer.
- Bitmap transformations enable operations such as translate, scale and rotate.
- Display pixels are plotted with 1/16th pixel precision.
- Four levels of graphics states
- Tag buffer detection

The graphics engine also supports customized built-in widgets and functionalities such as jpeg decode, screen saver, calibration etc. The graphics engine interprets commands from the MPU host via a 4 Kbyte FIFO in the FT81x memory at RAM_CMD. The MPU/MCU writes commands into the FIFO, and the graphics engine reads and executes the commands. The MPU/MCU updates the register REG_CMD_WRITE to indicate that there are new commands in the FIFO, and the graphics engine updates REG_CMD_READ after commands have been executed.

Main features supported are:

- Drawing of widgets such as buttons, clock, keys, gauges, text displays, progress bars, sliders, toggle switches, dials, gradients, etc.
- JPEG and motion-JPEG decode
- Inflate functionality (zlib inflate is supported)
- Timed interrupt (generate an interrupt to the host processor after a specified number of milliseconds)
- In-built animated functionalities such as displaying logo, calibration, spinner, screen saver and sketch
- Snapshot feature to capture the current graphics display

For a complete list of graphics engine display commands and widgets, please refer to Chapter 4 of the official FT81x Series Programmers Guide:

http://www.ftdichip.com/Support/Documents/ProgramGuides/FT81X_Series_Programmer_Guide.pdf



Touch-Screen Engine

The Capacitive Touch Screen Engine (CTSE) of the FT813 communicates with the external Capacitive Touch Panel Module (CTPM) through an I2C interface. The CTPM will assert its interrupt line when there is a touch detected. Upon detecting CTP_INT_N line active, the FT813 will read the touch data through I2C. Up to 5 touches can be reported and stored in FT813 registers.

For more details on the FT813 Touch-Screen Engine, please refer to pages 32-35 of the official FT81x Datasheet:
<https://support.newhavendisplay.com/hc/en-us/articles/6963170802839-FT81x>

Audio Engine

The FT81x provides mono audio output through a PWM output pin, AUDIO_L. It outputs two audio sources, the sound synthesizer and audio file playback.

This pin is designed to be passed into a simple filter circuit and then passed to an amplifier for best results. Please refer to the example schematic in the Audio Filter and Amplifier Reference Circuit section on the next page.

Sound Synthesizer

A sound processor, AUDIO ENGINE, generates the sound effects from a small ROM library of waves table. To play a sound effect listed in Table 4.3, load the REG_SOUND register with a code value and write 1 to the REG_PLAY register. The REG_PLAY register reads 1 while the effect is playing and returns a '0' when the effect ends. Some sound effects play continuously until interrupted or instructed to play the next sound effect. To interrupt an effect, write a new value to REG_SOUND and REG_PLAY registers; e.g. write 0 (Silence) to REG_SOUND and 1 to PEG_PLAY to stop the sound effect.

The sound volume is controlled by register REG_VOL_SOUND. The 16-bit REG_SOUND register takes an 8-bit sound in the low byte. For some sounds, marked "pitch adjust" in the table below, the high 8 bits contain a MIDI note value. For these sounds, a note value of zero indicates middle C. For other sounds the high byte of REG_SOUND is ignored.

Audio Playback

The FT81x can play back recorded sound through its audio output. To do this, load the original sound data into the FT81x's RAM, and set registers to start the playback. The registers controlling audio playback are:

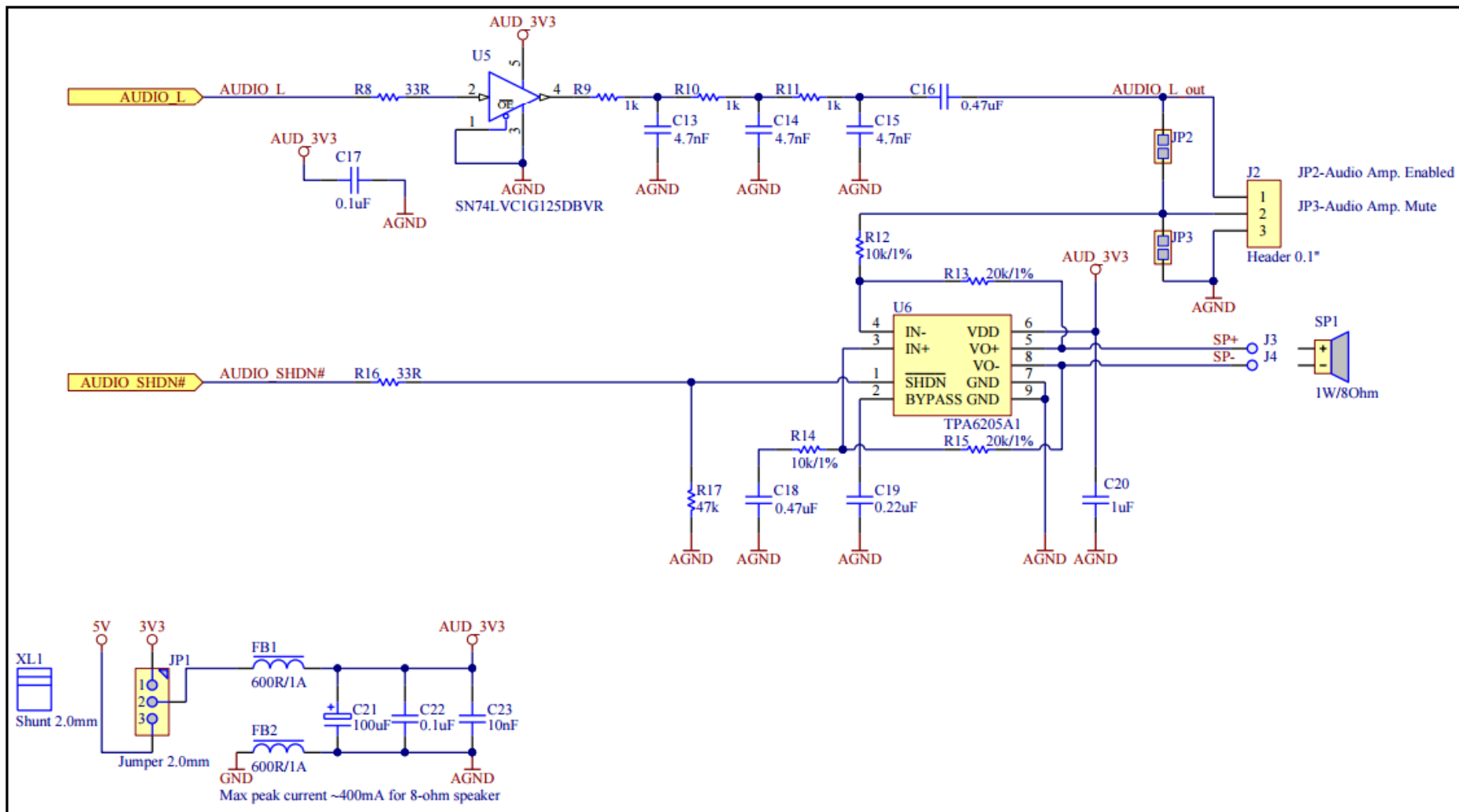
| | |
|----------------------|--|
| REG_PLAYBACK_START: | The start address of the audio data. |
| REG_PLAYBACK_LENGTH: | The length of the audio data, in bytes. |
| REG_PLAYBACK_FREQ: | The playback sampling frequency, in Hz. |
| REG_PLAYBACK_FORMAT: | The playback format, one of LINEAR SAMPLES, uLAW SAMPLES, or ADPCM SAMPLES. |
| REG_PLAYBACK_LOOP: | If '0', the sample is played once. If '1', the sample is repeated indefinitely. |
| REG_PLAYBACK_PLAY: | A write to this location triggers the start of audio playback, regardless of writing '0' or '1'. Read back '1' when playback is ongoing, and '0' when playback finishes. |
| REG_VOL_PB: | Playback volume, 0-255. |

The mono audio formats supported are 8-bits PCM, 8-bits uLAW and 4-bits IMA-ADPCM. For ADPCM_SAMPLES, each sample is 4 bits, so two samples are packed per byte, the first sample is in bits 0-3 and the second is in bits 4-7. The current audio playback read pointer can be queried by reading the REG_PLAYBACK_READPTR. Using a large sample buffer, looping, and this read pointer, the host MPU/MCU can supply a continuous stream of audio.

For more details on the FT81x Audio Engine, please refer to pages 30-32 of the official FT81x Datasheet:
<https://support.newhavendisplay.com/hc/en-us/articles/6963170802839-FT81x>



Audio Filter and Amplifier Reference Circuit



This is a reference schematic from FTDI, which can be used to successfully filter and amplify the audio signals coming from the NHD EVE2 TFT Module.



Additional Information/Resources

FT81x Datasheet:

FTDI/Bridgetek FT81x Embedded Video Engine (EVE2)

<https://support.newhavendisplay.com/hc/en-us/articles/6963170802839-FT81x>

Programmers Guide:

FT81x Series Programmers Guide

http://www.ftdichip.com/Support/Documents/ProgramGuides/FT81X_Series_Programmer_Guide.pdf

NHD GitHub Page:

NHD EVE2 TFT Module Example Projects

<https://github.com/NewhavenDisplay/EVE2-TFT-Modules>

EVE2 Software Examples:

FT81x Example Projects

http://www.ftdichip.com/Support/SoftwareExamples/FT800_Projects.htm

FTDI/Bridgetek Utilities:

Screen Designer

<http://www.ftdichip.com/Support/Utilities.htm#ESD3>

Image Converters

<http://www.ftdichip.com/Support/Utilities.htm#EVEImageConverters>

Audio Converter

<http://www.ftdichip.com/Support/Utilities.htm#EVEAudioConverter>

Font Converter

<http://www.ftdichip.com/Support/Utilities.htm#EVEFontConverter>

FT80x to FT81x Migration Guide:

FT80x to FT81x Migration Guide

http://www.ftdichip.com/Support/Documents/AppNotes/AN_390%20FT80x%20To%20FT81x%20Migration%20Guide.pdf



Quality Information

| Test Item | Content of Test | Test Condition | Note |
|---------------------------------------|---|---|------|
| High Temperature storage | Endurance test applying the high storage temperature for a long time. | +80°C , 96hrs | 2 |
| Low Temperature storage | Endurance test applying the low storage temperature for a long time. | -30°C , 96hrs | 1,2 |
| High Temperature Operation | Endurance test applying the electric stress (voltage & current) and the high thermal stress for a long time. | +70°C , 96hrs | 2 |
| Low Temperature Operation | Endurance test applying the electric stress (voltage & current) and the low thermal stress for a long time. | -20°C , 96hrs | 1,2 |
| High Temperature / Humidity Operation | Endurance test applying the electric stress (voltage & current) and the high thermal with high humidity stress for a long time. | +60°C , 90% RH , 96hrs | 1,2 |
| Thermal Shock resistance | Endurance test applying the electric stress (voltage & current) during a cycle of low and high thermal stress. | -20°C,30min -> 25°C,5min - >70°C,30min = 1 cycle 10 cycles | |
| Vibration test | Endurance test applying vibration to simulate transportation and use. | 10-55Hz , 15mm amplitude. 60 sec in each of 3 directions X,Y,Z For 15 minutes | 3 |
| Static electricity test | Endurance test applying electric static discharge. | Air: 8kV, 150pF, 330Ω, 5 times Contact: 4kV, 150pF, 330Ω, 5 times | |

Note 1: No condensation to be observed.

Note 2: Conducted after 4 hours of storage at 25°C, 0%RH.

Note 3: Test performed on product itself, not inside a container.