

The logo for Elprotronic, featuring the word "Elprotronic" in a stylized, blue, serif font with a white outline, set against a solid blue rectangular background.

Elprotronic

www.elprotronic.com

*Fast and Reliable Production
Flash and Gang Programmers for
MCUs*

*PM037A03 rev. 1.6
March.31.2022*

Programmer Selection

Programmers for ARM MCUs from Multiple Vendors:

FlashPro-ARM, GangPro-ARM

- CMSIS-DAP Debugger
- Texas Instruments
- ST Microelectronics
- Silicon Labs
- Renesas Electronics
- NXP / Freescale
- Nordic Semiconductors
- Maxim Integrated
- Microchip / Atmel
- Marvell Tech.
- Cypress Semiconductor (coming soon)
- Active Semi

Programmers for MCUs from Texas Instruments only:

FlashPro430, GangPro430, FET-Pro430 - supports all MSP430 MCUs

FlashPro-CC, GangPro-CC - supports *all Wireless Solution (Chipcon) MCUs*

FlashPro-2000 - supports C2000 MCUs

Programmers for 8-32b MCUs:




FlashPro-M, GangPro-M

- *Serial Flash via SPI (Adesto, Cypress, ISSI, Macronix, Microchip, Micron, Winbond)*
- *STM-8 from ST Microelectronics,*
- *AVR and PIC from Microchip / Atmel,*
- *RL78 from Renesas*

Software Selector Guide

MCU Vendor	MCU Family	FlashPro-ARM GangPro-ARM CMSIS-DAP	FlashPro430 GangPro430	FlashPro-CC GangPro-CC	FlashPro-2000	FlashPro-M	GangPro-M
Texas Instruments	MSP430, CC430		+				
Texas Instruments	ARM MSP432	+					
Texas Instruments	TMS320F28xx				+		
Texas Instruments	Cxx Wireless Solution 8051 Core			+			
Texas Instruments	Cxx Wireless Solution ARM Core	+					
ST Microelectronics	ARM STM32	+					
ST Microelectronics	STM-8					+	+
Active Semi	ARM PAC5xx	+					
Analog Devices	ARM ADuCM	+					
Infineon / Cypress	ARM PSoC, FMxx	+					
Microchip (Atmel)	ARM AT-SAMxx	+					
Microchip (Atmel)	AVR					+	+
Microchip	PIC					+	+
Marvel	ARM 88MC2xx / 88MW3xx	+					
Maxim	ARM MAX 326xx	+					
Nordic Semiconductors	ARM nRFxxx	+					
NXP / Freescale	ARM iMX, Kinetis, LPCxx	+					
Renesas	ARM Synergy	+					
Renesas	RL78					+	+
Silergy	ARM MAXxx	+					
Silicon Labs	ARM EFM32, EFR32, Sim3, EM3	+					
Serial Flash via SPI	Adesto, Cypress, ISSI, Macronix, Microchip, Micron, Winbond					+	+

Programmer Selector Guide




Package Name	Price [USD]	Target MCUs	Software	USB-FPA 	XStream- 	XStreamPro- 
FlashPro430 – Lite BSL (*)	189/--/--	MSP430	FlashPro430	PN: USB-MSP430-FPA-LB	-	-
FlashPro430 – Lite JTAG (*)	189/--/--	MSP430	FlashPro430	PN: USB-MSP430-FPA-LJ	-	-
FlashPro430 – Lite JTAG/BSL (*)	219/--/--	MSP430	FlashPro430	PN: USB-MSP430-FPA-LJB	-	-
FlashPro430 – Standard [XS, X2S]	299/419/619	MSP430	FlashPro430	PN: USB-MSP430-FPA-STD	PN: XS-FP-430	PN: X2S-FP-430
FlashPro-MSP [XS, X2S]	359/479/679	MSP430 / MSP432	FlashPro430 / FlashPro-ARM	-	PN: XS-FP-MSP	PN: X2S-FP-MSP
FlashPro-MSP430 and CCxx MCU	429/--/--	MSP430 / CCxx	FlashPro430 / FlashPro-CC	PN: USB-FPA-MSP430-CC	-	-
GangPro430 – JTAG	319/--/--	MSP430	GangPro430 / FlashPro430	PN: USB-MSP430-FPA-GANG-J	-	-
GangPro430 – JTAG / BSL [XS, X2S]	339/659/859	MSP430	GangPro430 / FlashPro430	PN: USB-MSP430-FPA-GANG-JB	PN: XS-GP-430	PN: X2S-GP-430
FlashPro-CC – Lite (*)	219/--/--	CCxx	FlashPro-CC / FlashPro-ARM	PN: FLASHPRO-CC-LITE	-	-
FlashPro-CC – Standard [XS, X2S]	299/419/619	CCxx	FlashPro-CC / FlashPro-ARM	PN: FLASHPRO-CC-STD	PN: XS-FP-CC	PN: X2S-FP-CC
GangPro-CC [XS, X2S]	539/659/859	CCxx	GangPro-CC / GangPro-ARM	PN: GANGPRO-CC-STD	PN: XS-GP-CC	PN: X2S-GP-CC
FlashPro-2000 – Lite (*)	219/--/--	TMS320C28xx	FlashPro-2000	PN: FP2000-LITE	-	-
FlashPro-2000 – Standard [XS, X2S]	299/419/619	TMS320C28xx	FlashPro-2000	PN: FP2000-STD	PN: XS-FP-2000	PN: X2S-FP-2000
FlashPro-ARM – One Vendor [XS, X2S]	--/459/659	ARM Limited to One Vendor(***)	FlashPro-ARM	-	PN: XS-FP-ARM-1V	PN: X2S-FP-ARM-1V (**)
FlashPro-ARM [XS, X2S]	--/569/769	See ARM list in the website	FlashPro-ARM	-	PN: XS-FP-ARM	PN: X2S-FP-ARM (**)
GangPro-ARM – One Vendor [XS, X2S]	--/909/1109	ARM Limited to One Vendor(***)	GangPro-ARM / FlashPro-ARM	-	PN: XS-GP-ARM-1V	PN: X2S-GP-ARM-1V (**)
GangPro-ARM [XS, X2S]	--/1019/1319	See ARM list in the website	GangPro-ARM / FlashPro-ARM	-	PN: XS-GP-ARM	PN: X2S-GP-ARM (**)
FlashPro-M – One Vendor [XS, X2S]	--/419/619	Limited to One Vendor (***)	FlashPro-M	-	PN: XS-FP-M-1V	PN: X2S-FP-M-1V
FlashPro-M [XS, X2S]	--/529/729	Serial Flash, STM-8, PIC, AT	FlashPro-M	-	PN: XS-FP-M	PN: X2S-FP-M
GangPro-M – One Vendor [XS, X2S]	--/759/969	Limited to One Vendor (***)	GangPro-M / FlashPro-M	-	PN: XS-GP-M-1V	PN: X2S-GP-M-1V
GangPro-M [XS, X2S]	--/869/1069	Serial Flash, STM-8	GangPro-M / FlashPro-M	-	PN: XS-GP-M	PN: X2S-GP-M
Universal FlashPro-X Programmer [XS,X2S]	--/719/919	Any above	Any Flash-.. Above	-	PN: XS-FP-X	PN: X2S-FP-X
Universal GangPro-X Programmer [XS,X2S]	--/1119/1319	Any above	Any Flash-.. and Gang-.. Above	-	PN: XS-GP-X	PN: X2S-GP-X

Note: (*) Lite version – software without access to DLLs, serialization and script files.

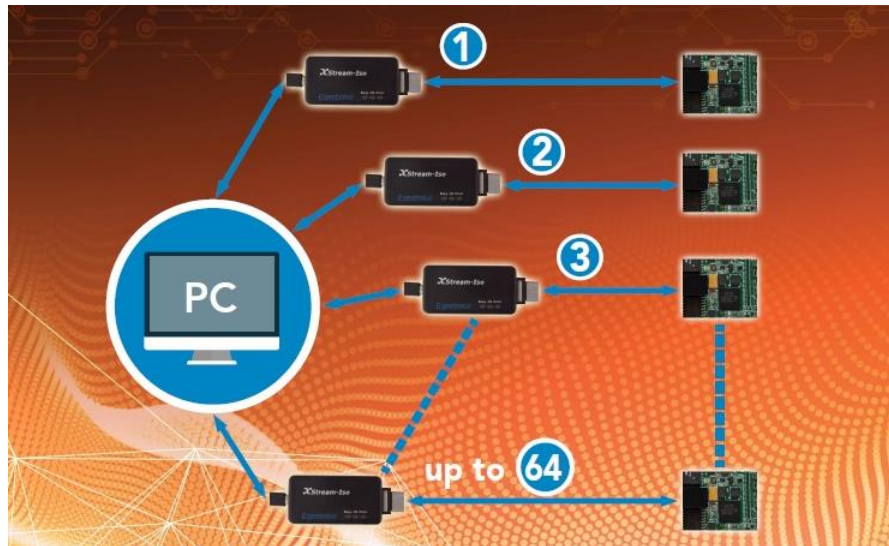
(**) Supports Serial Flash programming via JTAG/SWD and MCU using FlashPro-ARM/GangPro-ARM software or via SPI using FlashPro-M/GangPro-M software

(***) Limited to one Vendor e.g. TI only, NXP only etc.

Programming Adapters

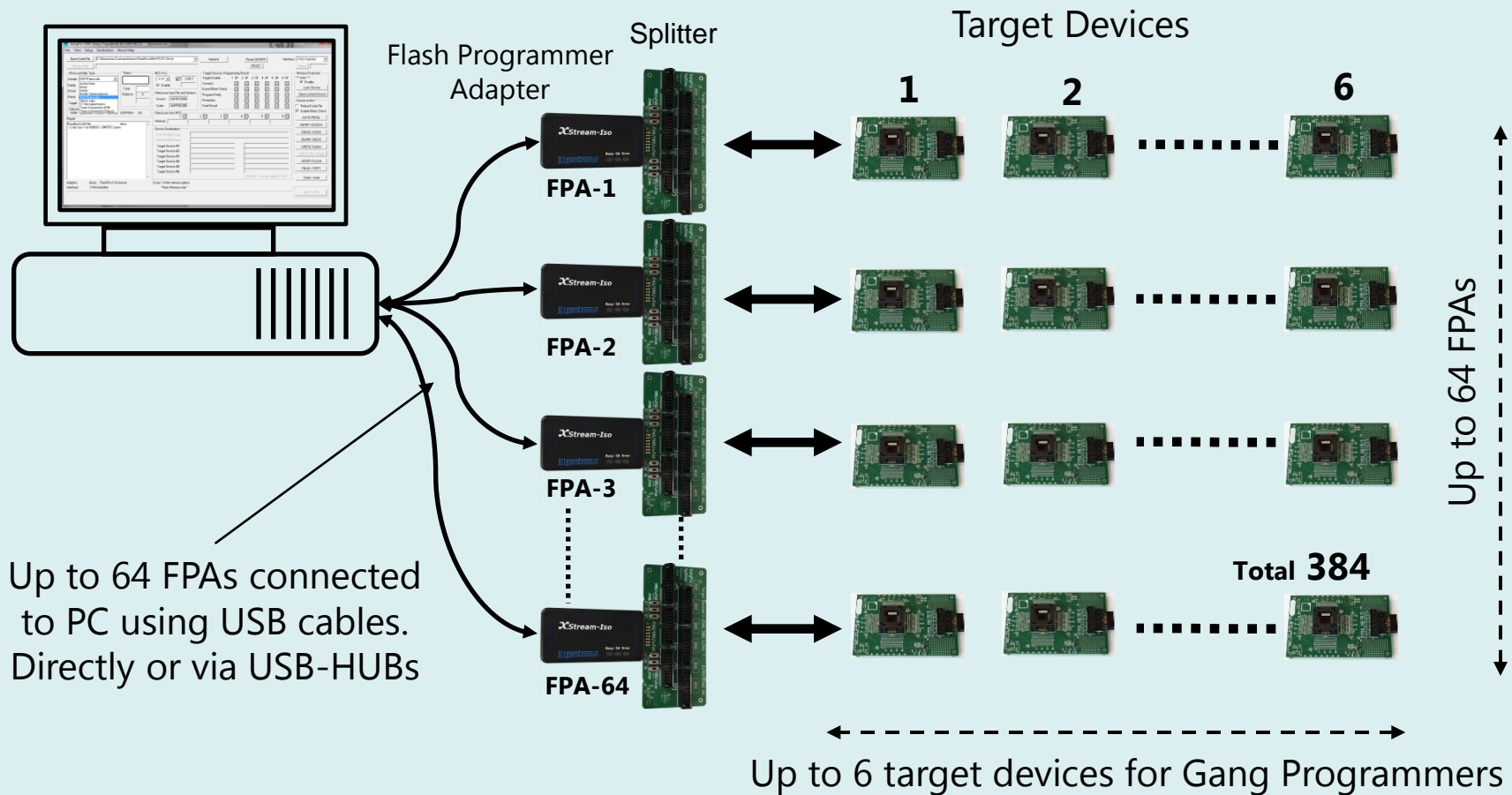
Features	USB-FPA 	XStream-Iso 	XStreamPro-Iso 
Suffix in the Product Part Number	none e.g. FP-ARM	XS- e.g. XS-FP-ARM	X2S- e.g. X2S-FP-ARM
Data transfer speed to / from Target Device	Up to 100 kbytes/s	Up to 1 Mbytes/s	Up to 1 Mbytes/s
JTAG / SWD Hi Speed	Fixed ~ 1.5MHz	Prog. 1-20MHz	Prog. 1-20MHz
JTAG / SWD Med / Low Speed	800kHz / 400kHz	800kHz / 400kHz	800kHz / 400kHz
Supported Comm. Interfaces (vary by software)	JTAG, cJTAG, SWD, SBW, BSL, DD, UART ..	JTAG, cJTAG, SWD, SBW, BSL, DD, SPI, UART ..	JTAG, cJTAG, SWD, SBW, BSL, DD, SPI, UART ..
DLL for debugging	MSP430	MSP430, ARM (CMSIS-DAP IAR/Keil)	MSP430, ARM (CMSIS-DAP IAR/Keil)
Image Memory (for Standalone, Security)	-	-	24 MB Flash
RAM Buffer for real time monitoring (current, voltage)	-	32 kB RAM	32 kB RAM
Galvanic Isolation between PC and Target Device	-	YES	YES
Vcc and I/O range	1.65 - 4.0 V	1.65 - 4.0 V	1.2 - 4.0 V
Vcc supplied from Adapter to Target Device	1.65-4.0 V /up to 200mA	1.65-4.0 V /up to 200mA	1.2-4.0 V /up to 200mA
Icc Current measurements	-	20 uA – 200 mA	50 nA – 200 mA
Communication via USB 2.0 Full Speed	YES	YES	YES
Communication via LAN (Ethernet)	-	-	YES
Adapter powered from	USB +5V	USB +5V	USB +5V or PoE +48V
I/O lines in 3-state	YES. Pullup 1M to Vcc	YES. Pullup 1M to Vcc	YES
Power line in 3-state	-	-	YES
Up to 64 adapters can be connected to one PC	YES	YES	YES
FCC / CE test certification	YES	YES	YES
OS	Windows™ 32-b applications	Windows™ 32,64-b applications, Linux	Windows™ 32,64-b applications, Linux
Size	79 * 42 * 21 mm	79 * 42 * 21 mm	79 * 42 * 21 mm

General Features



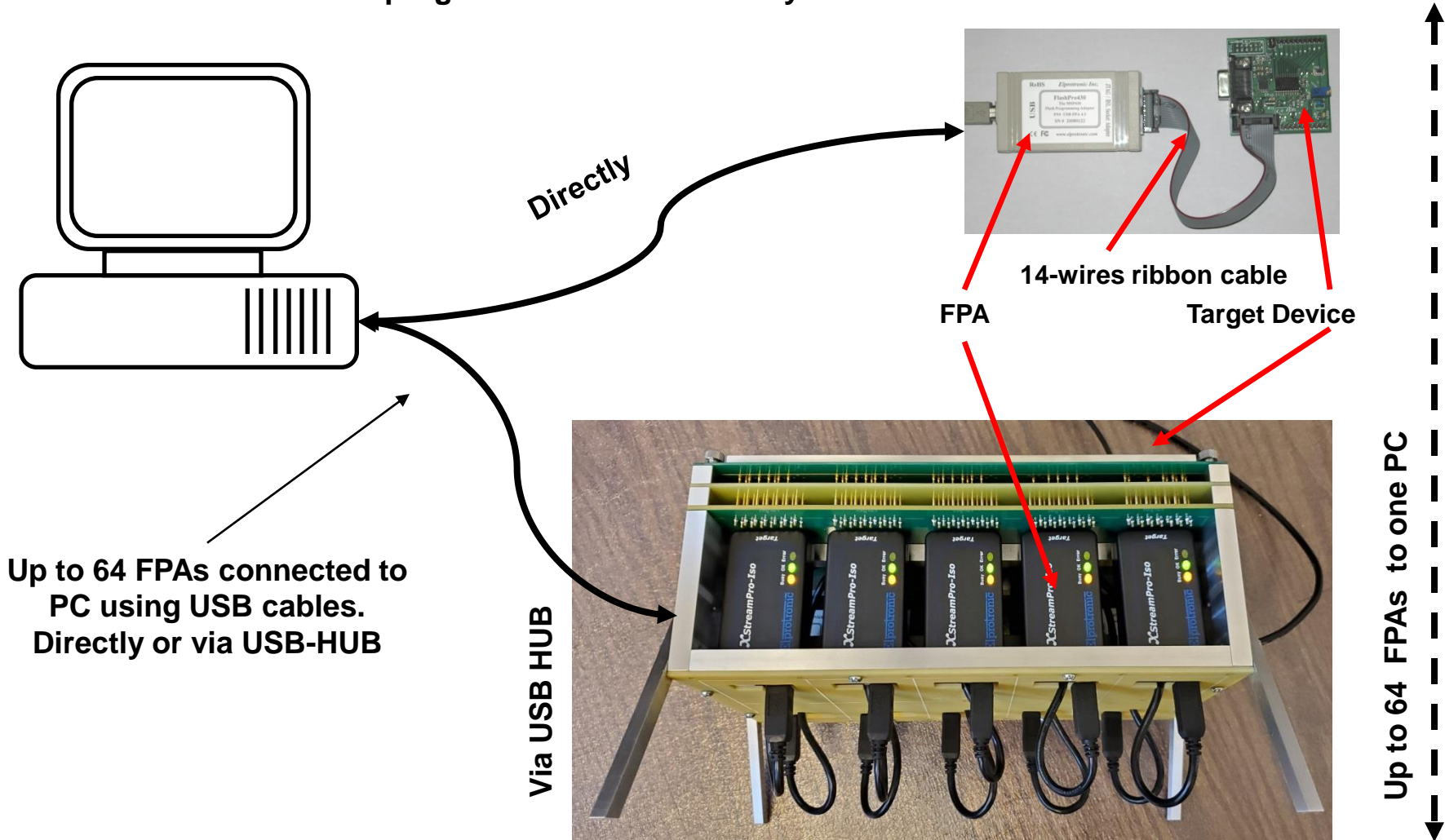
- Up to 64 Flash Programming Adapters (FPAs) can be connected to one PC.
- Supports JTAG, cJTAG, SWD, SBW, BSL, SPI, UART communication interfaces (interface list depends on supported devices)
- Programmable JTAG communication speed (if applicable) up to 20 MHz with *Xstream-Iso* and *XstreamPro-Iso* adapters and up to 4 MHz with old *USB-FPA* adapter
- Transfer speed up to 1 MBytes/s with *Xstream-Iso* and *XstreamPro-Iso* adapters and up to 50 kBytes/s with old *USB-FPA* adapter
- Full memory or page memory erase capability
- Check Sum verification
- No code size limitations
- Target device can be powered from the programming adapter or from external source
- Easy to use Windows™ based software. For *Xstream-Iso* and *XstreamPro-Iso* adapters also Debian Linux support (amd64/armhf) . Also runs on Raspberry Pi.
- Accepts TI (*.txt), Motorola (*.s19, *.s28, *.s37, *.src) and Intel (*.hex) data files
- Lock setup capability, useful in production
- Software package can assign and automatically increment a serial number, model type and revision. Serial Number with or without an automatically inserted current date can be stored in Flash memory in HEX, BCD or ASCII format
- DLL software package can control up to 64 FPAs from user application
- USB-2.0 Full-Speed to communication between PC and programming adapter. The *XstreamPro-Iso* adapter also provide communication via LAN
- Programming adapter has been fully tested to comply with FCC and CE requirements

Multiple Gang Programmers Setup



Flash Programmer

Single Target: Each FPA programs one target. Up to 64 target devices can be programmed simultaneously



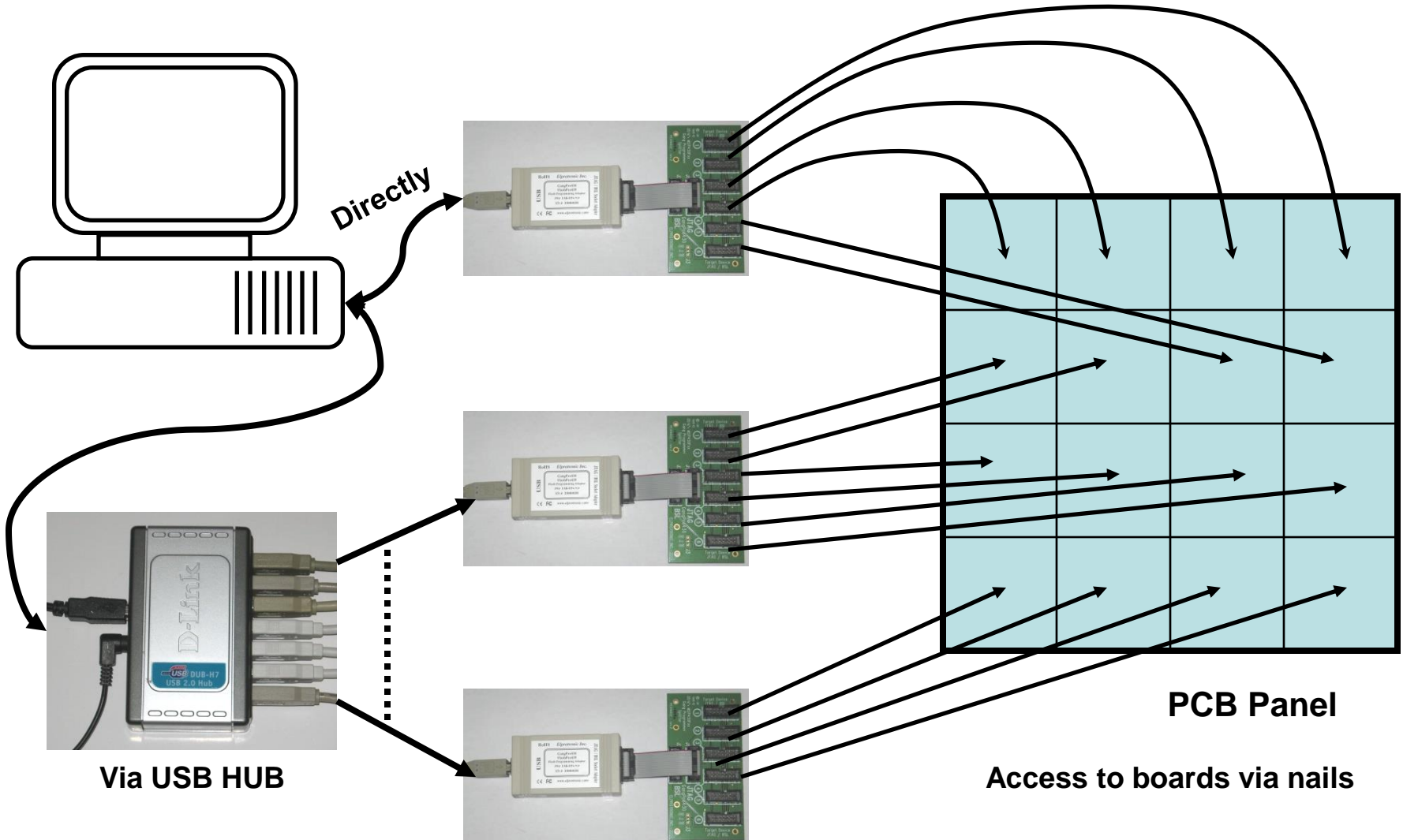
Up to 64 FPAs connected to PC using USB cables. Directly or via USB-HUB

Via USB HUB

Up to 64 FPAs to one PC

Gang Programmer

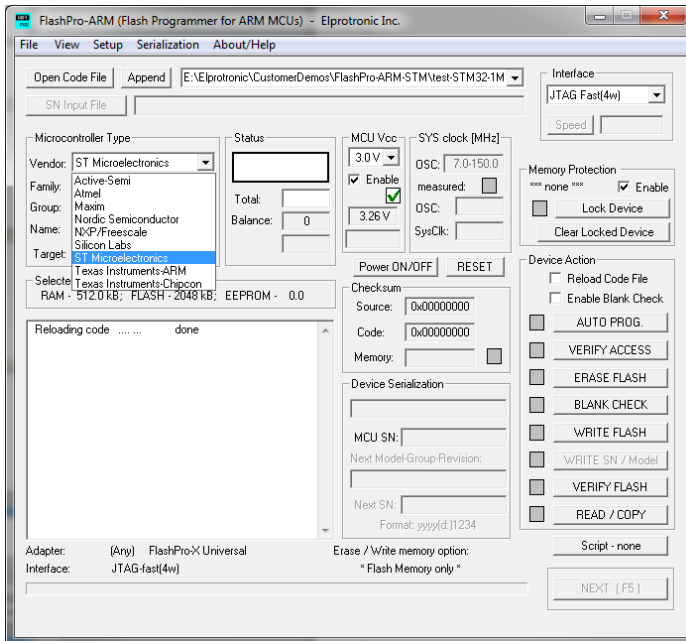
Multiple Targets: Each FPA programs up to 6 targets. Up to 384 target devices in panel can be programmed simultaneously



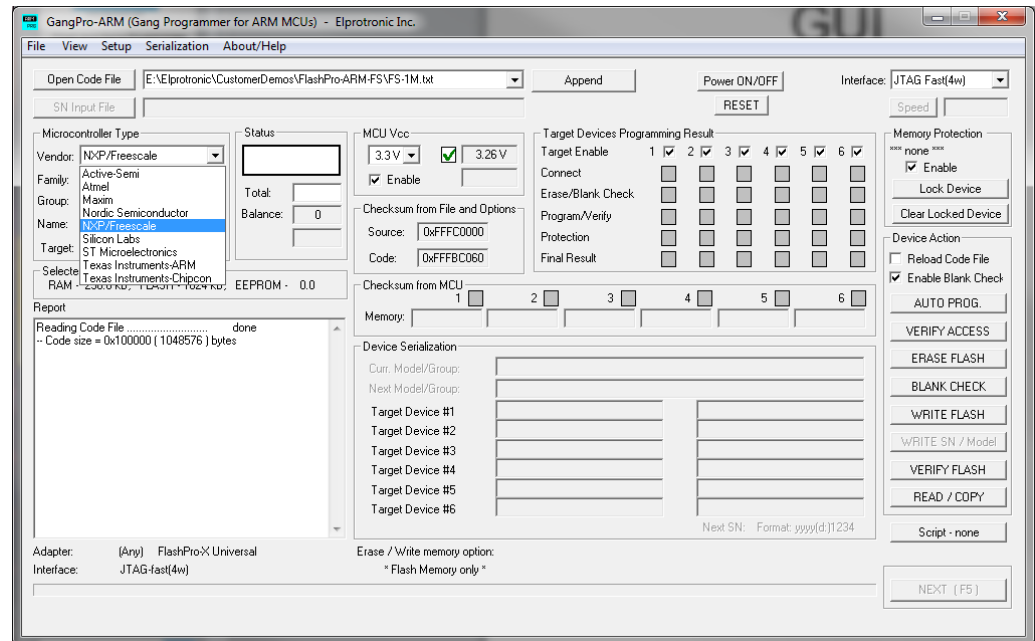
GUI – Main Screen

- * Software package contains ready to use GUI for FlashPro-xx and GangPro-xx.
- * One GUI controls one adapter only.
- * Easy to use setup, serialization, MCU protection and more.

FlashPro-ARM GUI



GangPro-ARM GUI



GUI - Serialization

Serialization

Serialization Setup

ENABLE Serialization

Remove code contents in the location where the serialization and model are defined

Serial Numbers' Output Filename (store used serial numbers):
 Browse..

BarCode Scanner

ENABLE Terminator Character

Start AUTOPROGRAM following BarCode scan

Serial Number Format

Display Format

YYYY-1234(5)
 YYMM-1234(5)
 YYMMDD-1234
 YYDDD-1234(5)
 12345678
 1234(5)
 Custom char (4..256)
 from File

In Memory Format

HEX (MSB First)
 HEX (MSW First)
 HEX (LSW/LSB First)
 BCD
 Ascii

Memory Location

SN Start Address in Memory:

Used size: bytes

Warn if Device's Flash Memory is not empty on the SN location

Serial Number (date excluded) starting from: Radix Decimal Hex

Serial Number Increment:

Model / Group / Revision

ENABLE Text size in Bytes: (2..32) (even number)

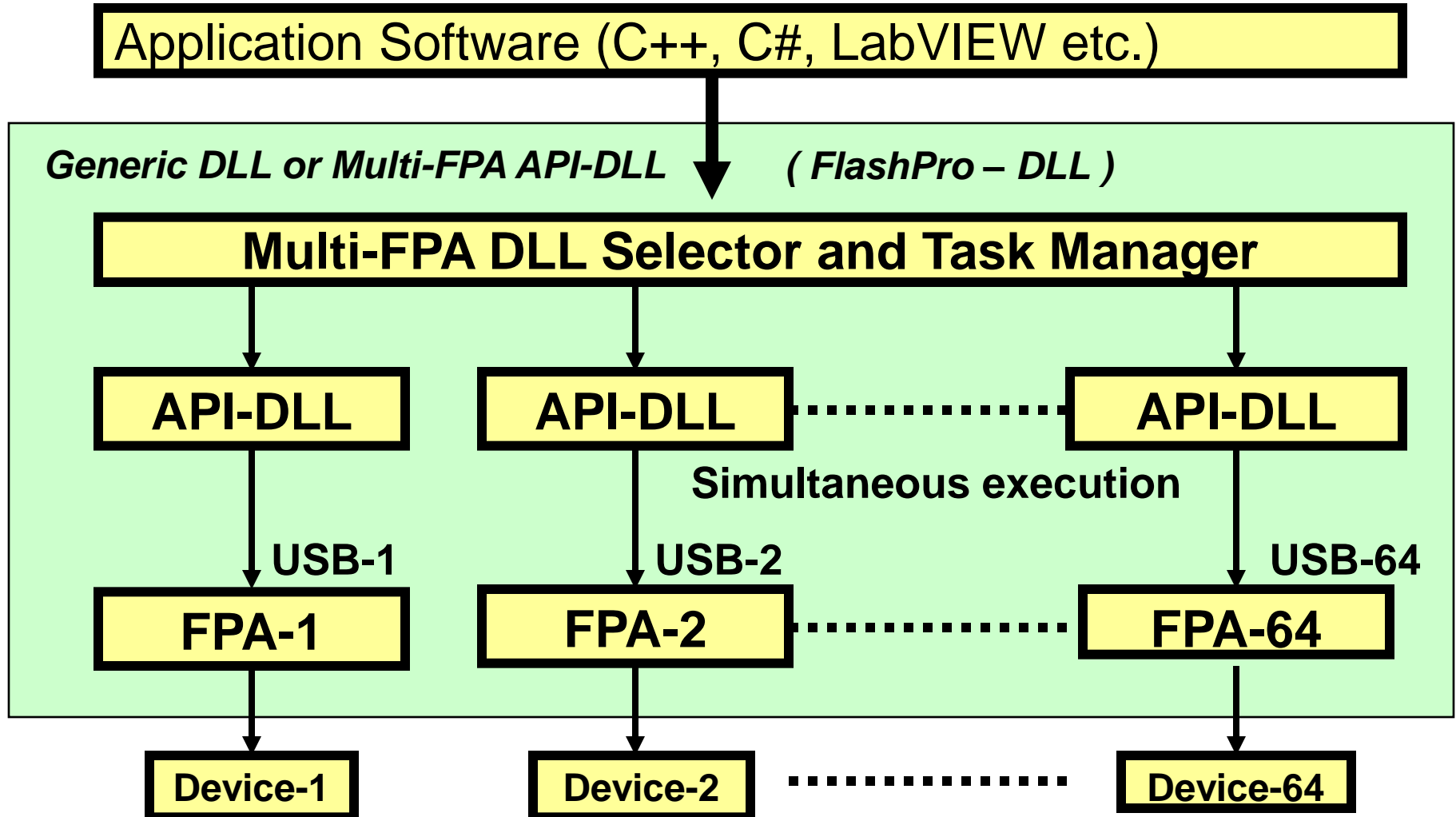
Start Address in Memory:

OK Cancel

- 7 fixed serialization formats
- Custom defined format
- Programmable serialization location
- Serialization log file
- Supported Bar Code Scanner

Control all FPAs using one DLL via Application

Use only one DLL: Thread-safe Generic DLL or broadcast-style Multi-FPA DLL



Control all FPAs using one DLL via Application

Use only one DLL: Thread-safe Generic DLL or broadcast-style Multi-FPA DLL

Application Software (C++, C#, LabVIEW, etc.)

Generic DLL or Multi-FPA API-DLL (GangPro - DLL)

Generic DLL or Multi-FPA DLL Selector and Task Manager

API-DLL

API-DLL

API-DLL

Simultaneous execution

USB-1

USB-2

USB-64

FPA-1

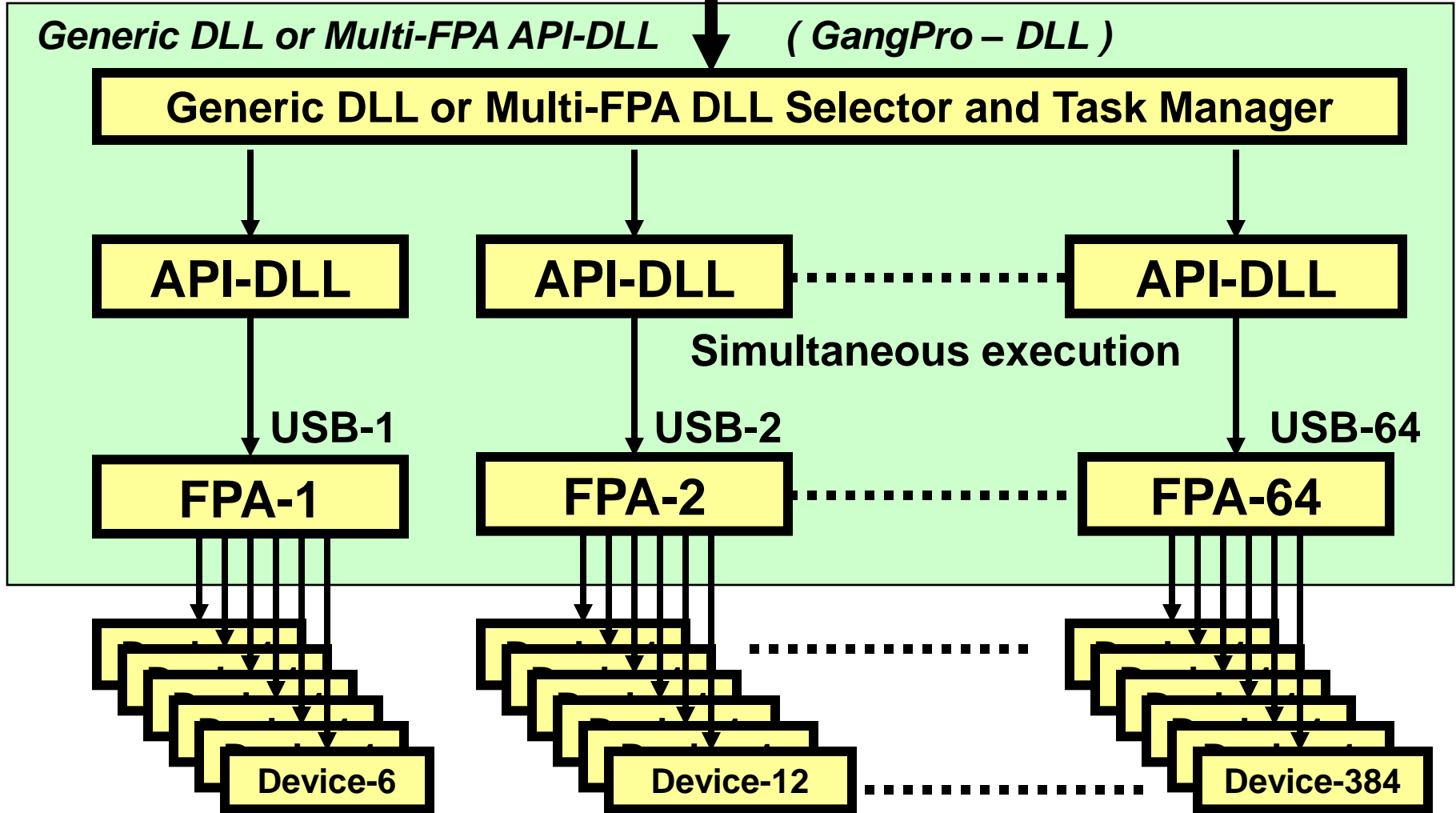
FPA-2

FPA-64

Device-6

Device-12

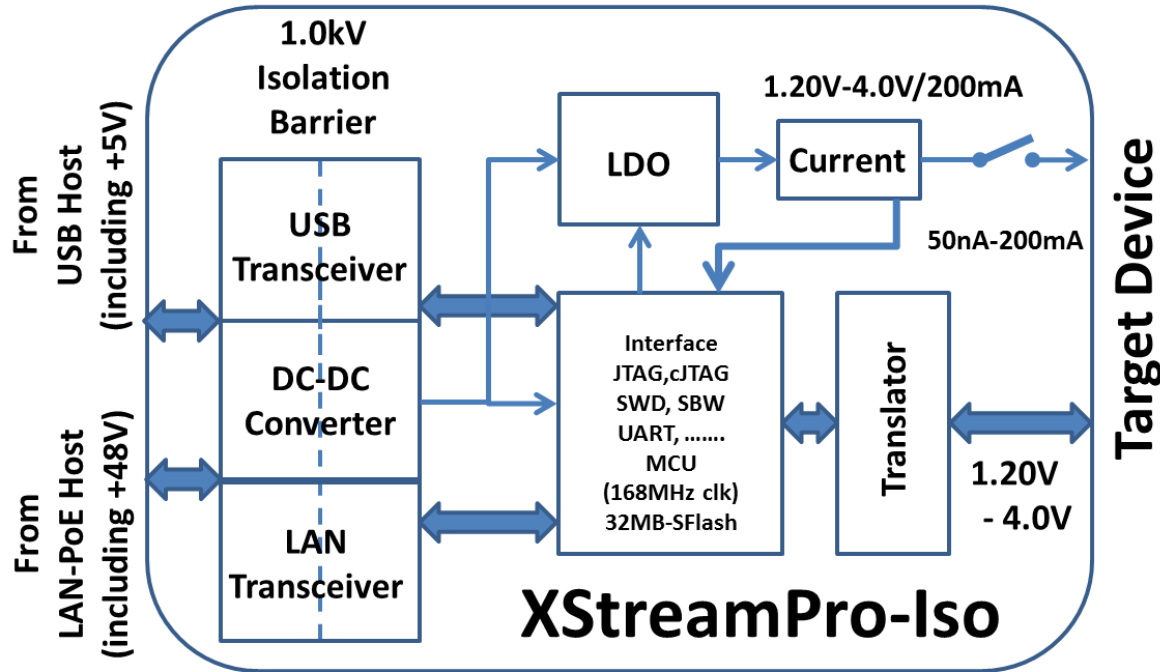
Device-384



XStreamPro-Iso Programming Adapter

Elprotronic

www.elprotronic.com

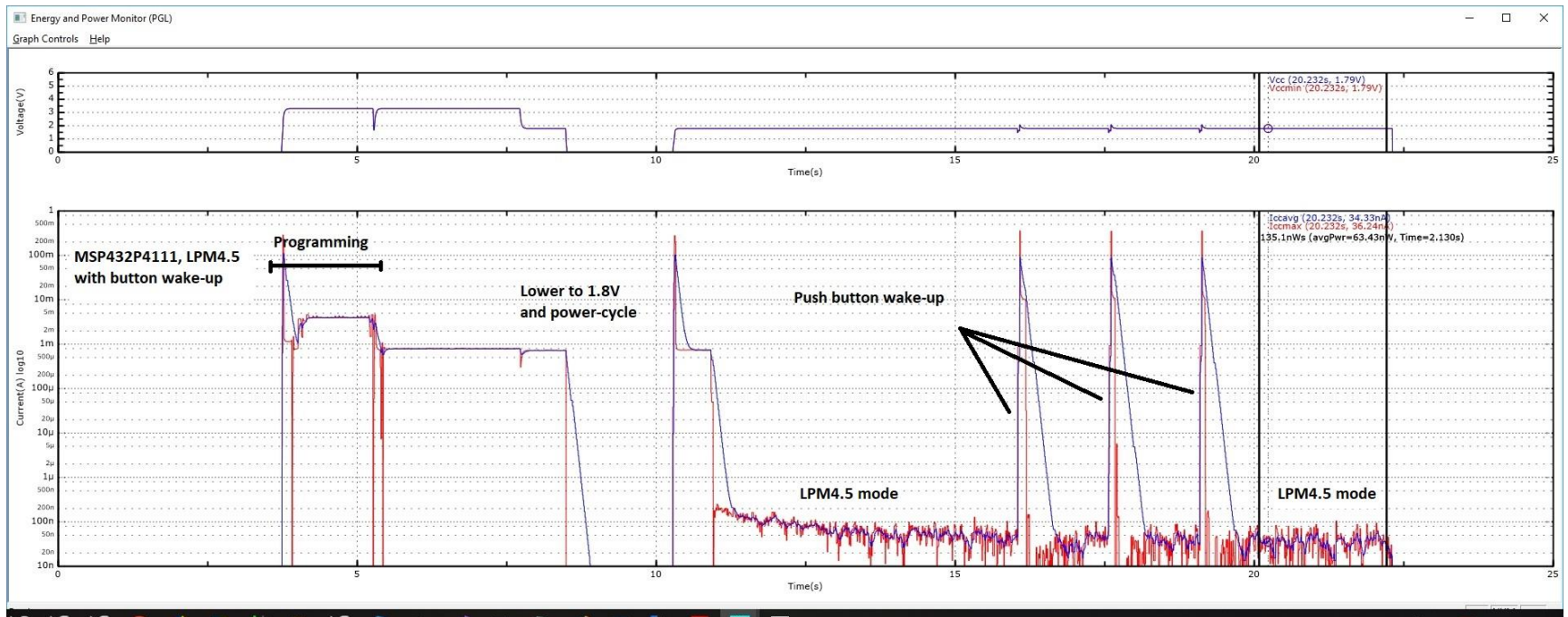


Features:

- Data transfer up to 1 Mbytes/s
- JTAG/SWD speed up to 20 MHz
- Galvanic Isolation 1.0 kV
- Vcc: 1.2 – 4.0 V, current up to 200 mA
- Current measurements 50nA – 200 mA
- Communication via USB 2.0 or LAN. Power from USB (5V) or from LAN PoE (48V)
- I/O lines and Power line are isolated from target device if XStreamPro-Iso is in idle mode
- Up to 64 adapters can be connected to one PC
- Image Memory for project storage (in the future) – 24 MB
- Size 79 * 42 * 21 mm
- Software compatible with the old USB-FPA (FlashPro430, FlashPro-ARM.....)
- FCC / CE test certification

NEW

XStreamPro-Iso Programming Adapter



Features:

- Vcc measurement – up to 6V.
- Current measurements 50nA – 200 mA
- Time resolution – up to 1ms for Vcc and up to 10ms for current measurements

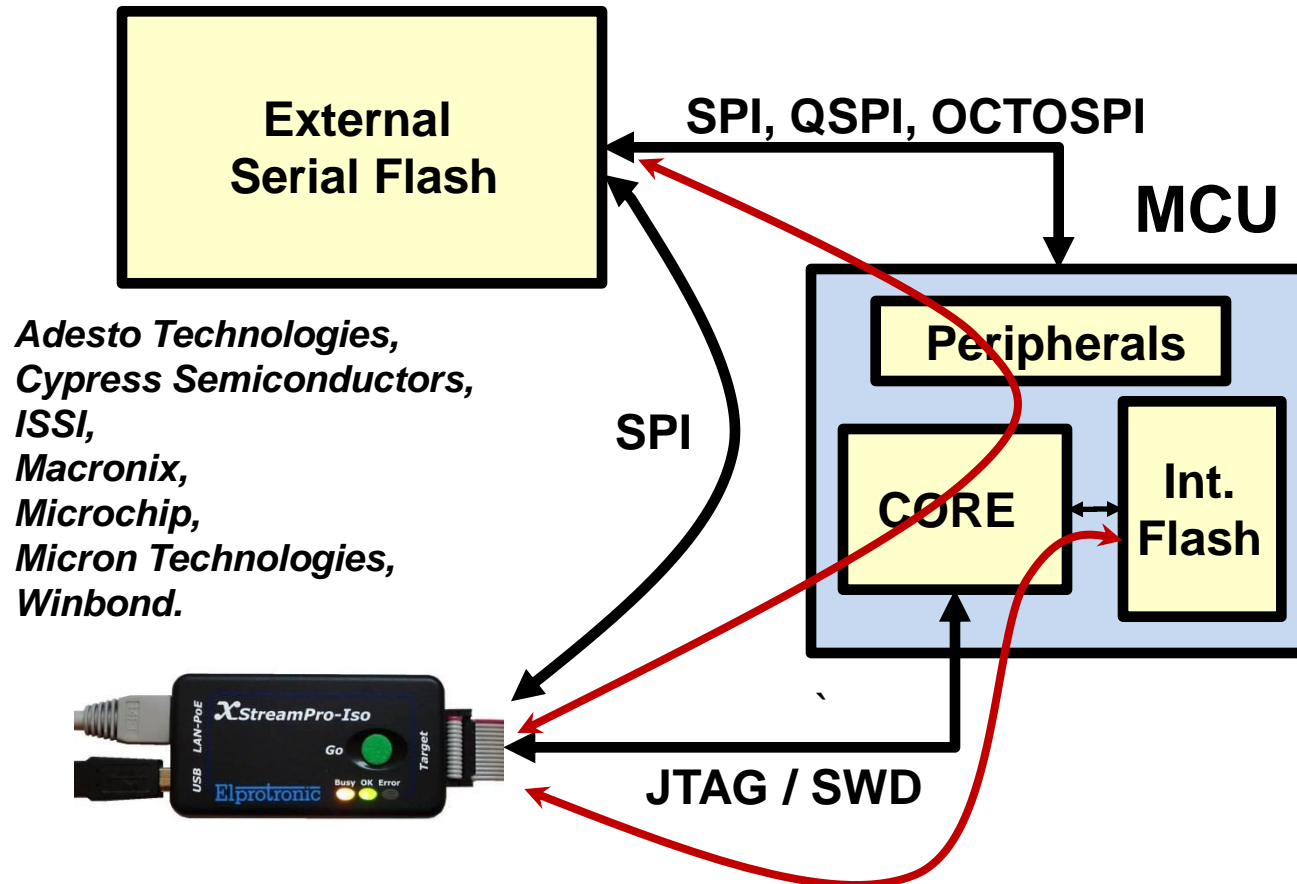
XStreamPro-Iso Programming Adapter



Features:

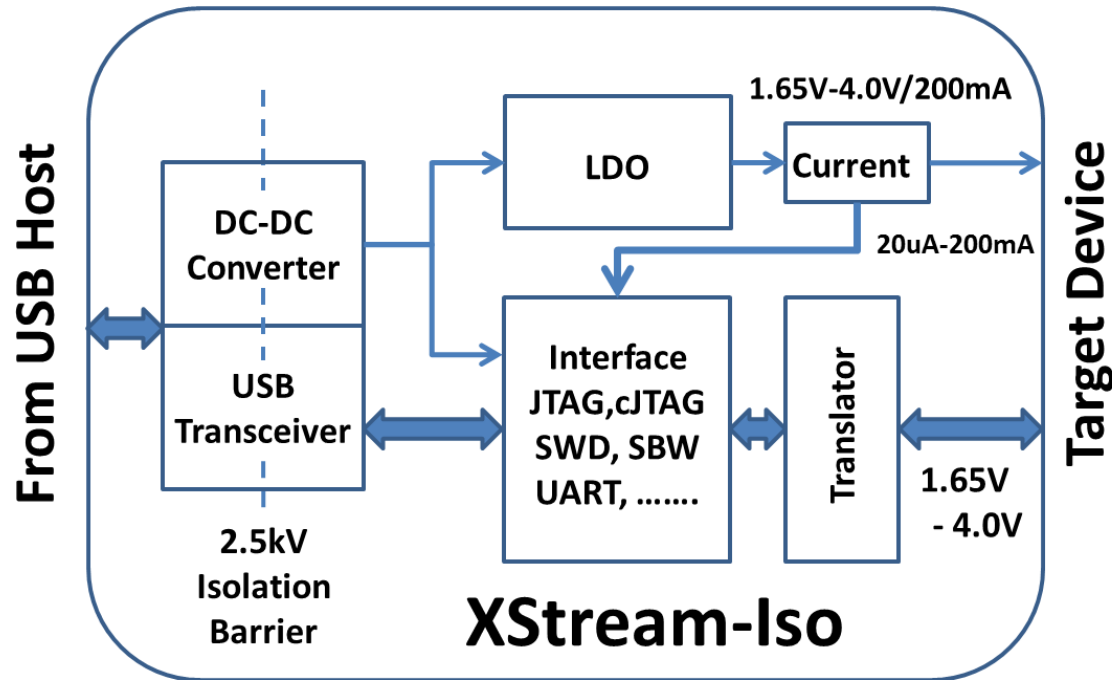
- Standalone programming feature (code and configuration in internal flash. Auto Program with GO button).
- Up to 96 distinct images, or 24 MB total in size.
- Images support production quota (maximum units programmed per image).
- Images support serialization features.
- Configurable GO feature: from button or when detected Vcc on target device.

XStreamPro-Iso Programming Adapter



External and Internal Flash Programming via JTAG/SWD

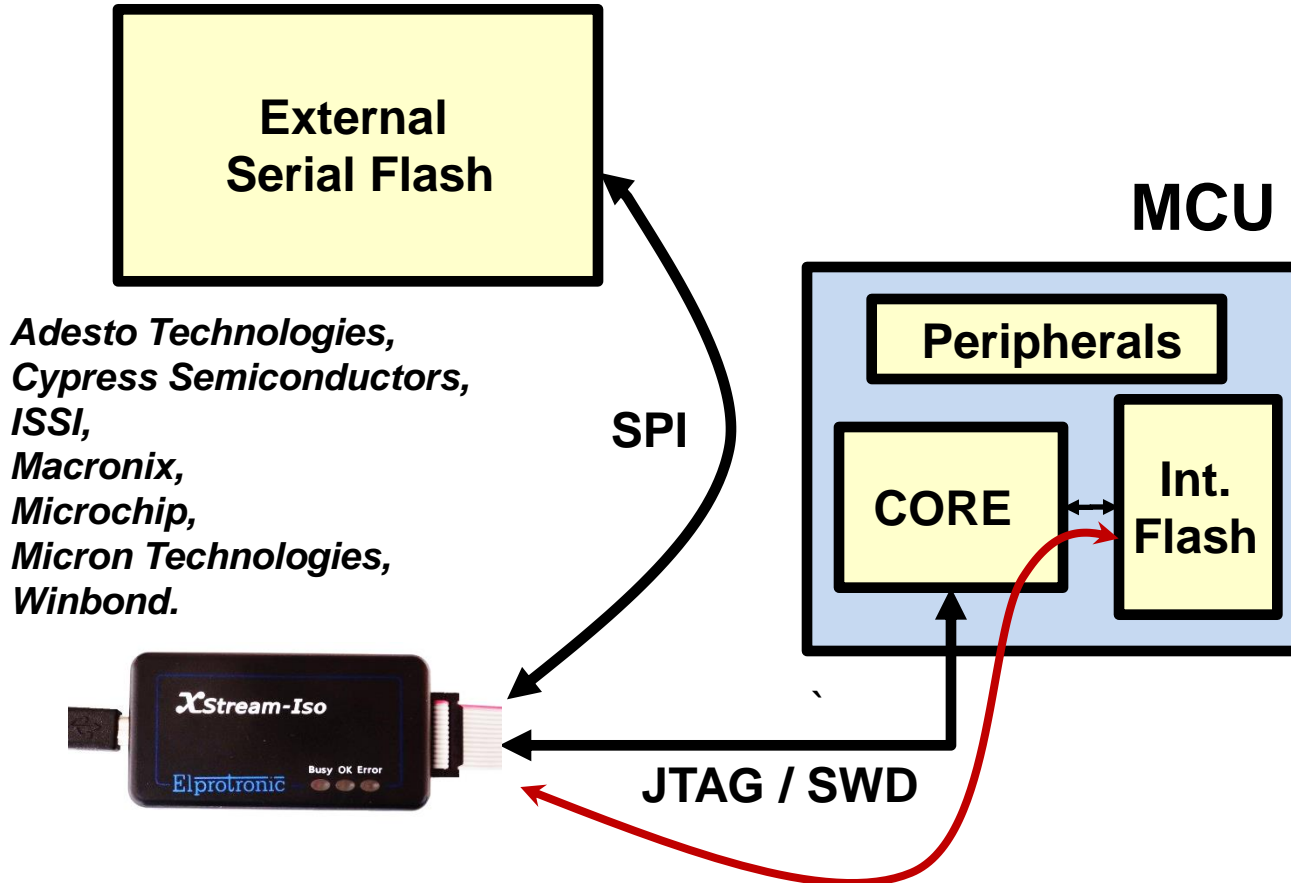
XStream-Iso Programming Adapter



Features:

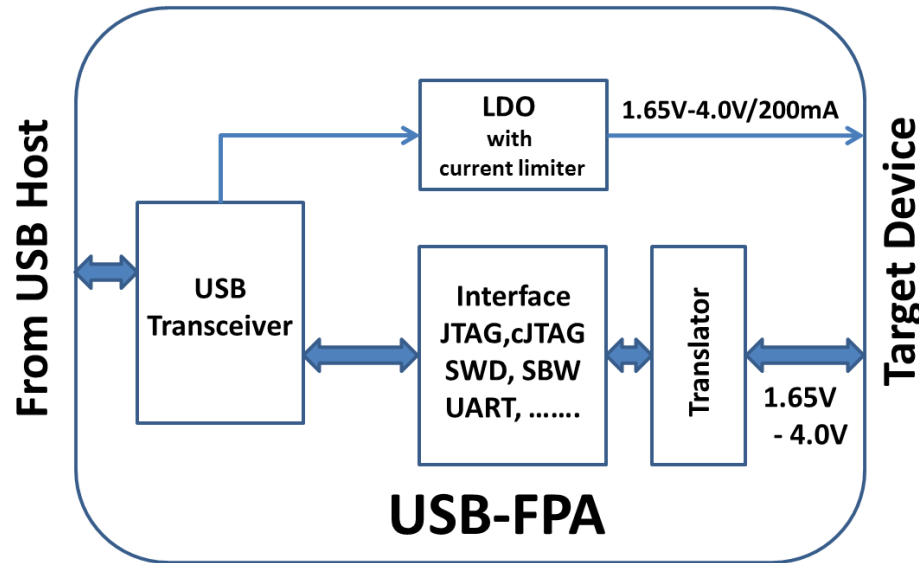
- Data transfer up to 1 Mbytes/s
- JTAG/SWD speed up to 20 MHz
- Galvanic Isolation 2.5 kV
- Vcc: 1.65 – 4.0 V, current up to 200 mA
- Current measurements 20uA – 500 mA
- Up to 64 adapters can be connected to one PC
- Size 79 * 42 * 21 mm
- Software compatible with the old USB-FPA (FlashPro430, FlashPro-ARM.....)
- FCC / CE test certification

XStream-Iso Programming Adapter



**External and Internal Flash Programming
via SPI or JTAG/SWD**

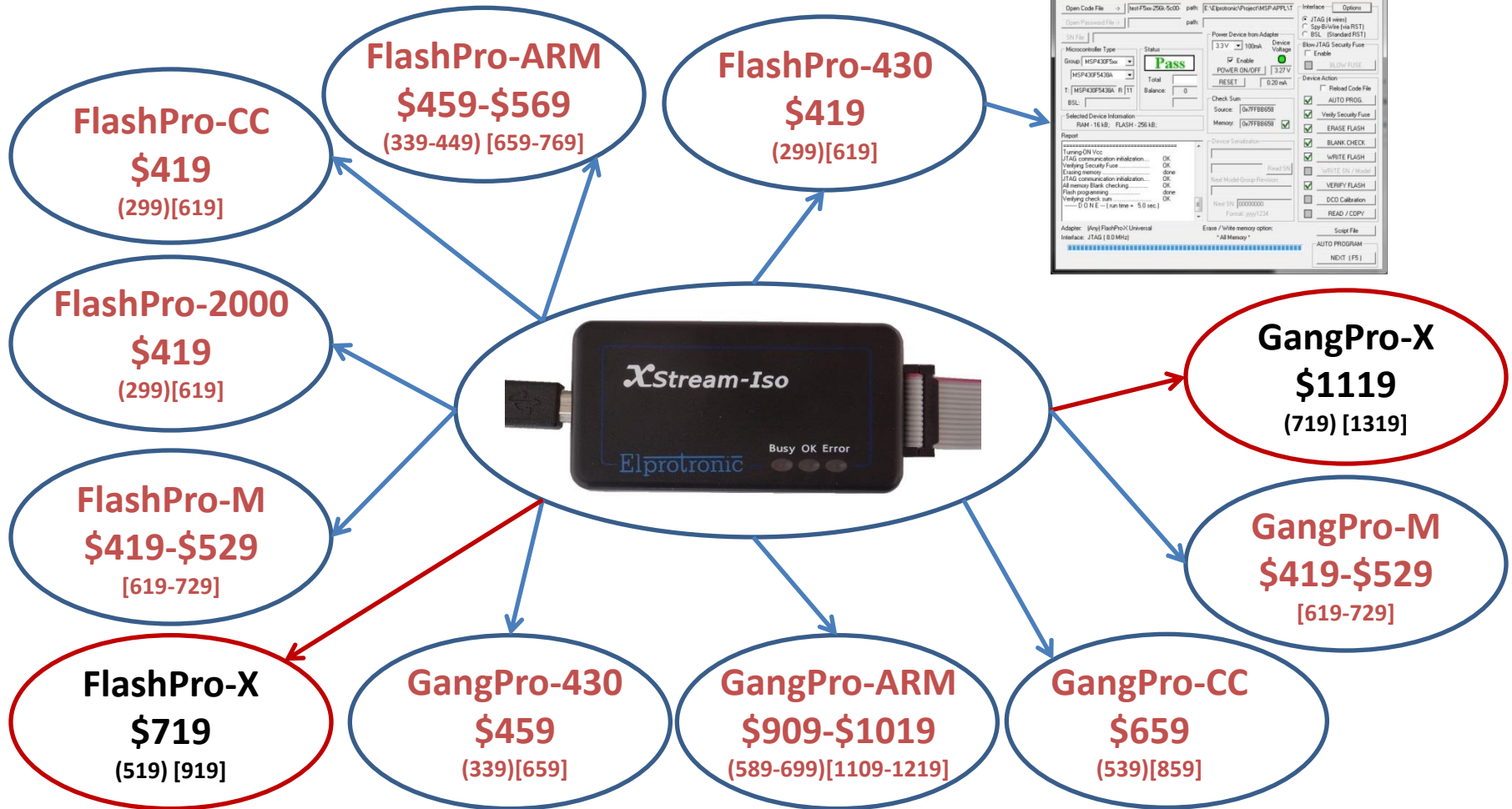
USB-FPA Programming Adapter



Features:

- Data transfer up to 50 kbytes/s
- JTAG speed up to 4 MHz. SWD speed up to 1.5 MHz
- Vcc: 1.65 – 4.0 V, current up to 200 mA
- Up to 64 adapters can be connected to one PC
- Size 79 * 42 * 21 mm
- FCC / CE test certification

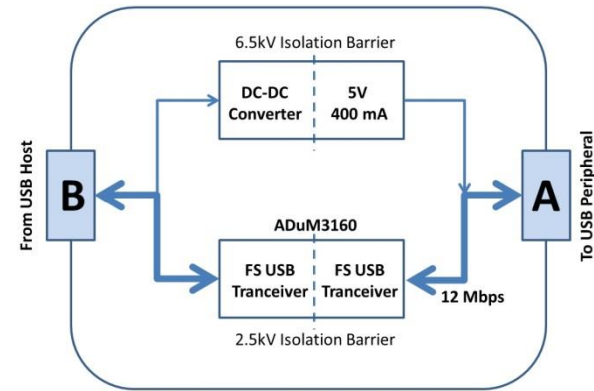
XStream-Iso Package



Note: Price of package with **USB-FPA** adapter is **(\$120)** lower than with **XStream-Iso**.
Price of package with **XStreamPro-Iso** adapter is **[\$200]** higher than with **XStream-Iso**.

Other Products

USB Full Speed Isolator



Universal Socket Boards:

QFN-32, QFN-48, QFN-64, QFP-32, QFP-48, QFP-64, QFP-80, QFP-100, QFP-144

