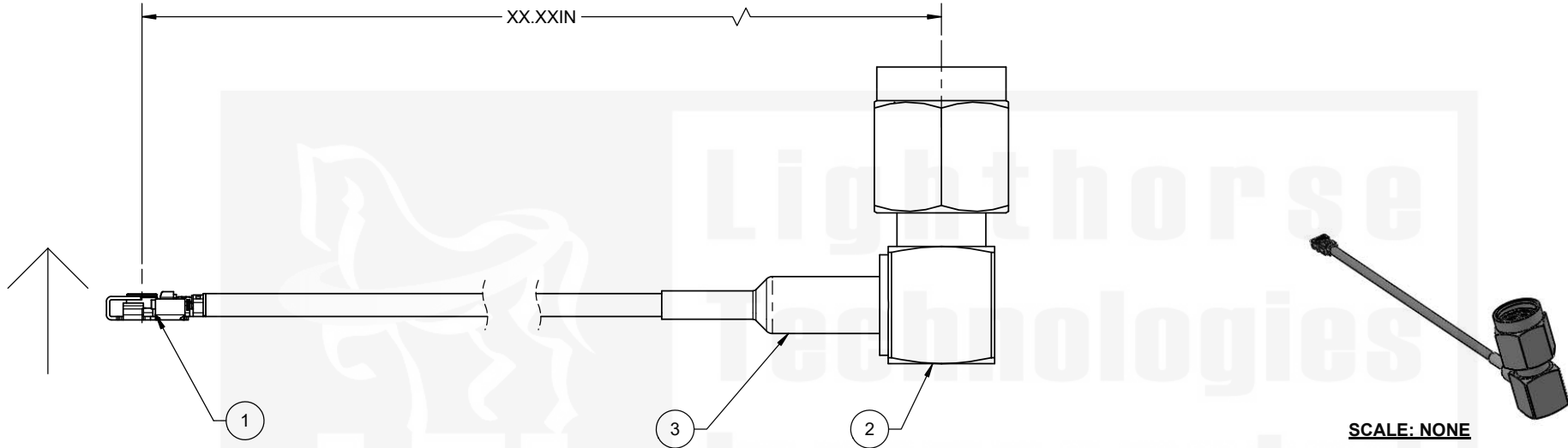


-XX IN THE ENDING OF THE CABLE PART NUMBER IS CALLING OUT THE LENGTH OF THE ASSEMBLY FROM CENTER TO MATING FLANGE OF CONNECTORS. EXAMPLES SHOWN BELOW:

LTI P/N: CB1.37-IPX4LLK-SALRMGT-4IN (4 INCHES)
 CB1.37-IPX4LLK-SALRMGT-10IN (10 INCHES)

REVISIONS				
REV	ECR	DESCRIPTION	DRAWN	DATE
1		PRODUCTION RELEASE	M. LARSEN	06/07/2022



ITEM	PART NUMBER	DESCRIPTION	QTY
1	CB1.37-IPX4LLK-500MM	IPX4LLK (MHF4L LK) LOCKING, RHT ANGLE, JACK, USING 1.37 CABLE, BLACK, (I-PEX 20632-001R-37)	0.5
2	SALRM11GT-316	SMA, RIGHT ANGLE, REV POL PLUG, CABLE CRIMP	1
3	1635F-1/8"	.125 (1/8) DIA, .75 LENGTH, GREEN	1

IPX® AND MHF® ARE REGISTERED TRADEMARKS OF I-PEX CO., LTD. CORPORATION

DO NOT SCALE DRAWING			Lighthouse Technologies San Diego, CA WWW.RFCONNECTOR.COM	
TOLERANCES UNLESS OTHERWISE SPECIFIED			TITLE: CABLE ASSEMBLY, IPX4LLK (MHF4L LK), LOCKING, R/A JACK, CRIMP TO SMA, R/A RP PLUG, CRIMP USING 1.37 MICRO COAX	
DIMENSIONS ARE IN MILLIMETERS		 THIRD ANGLE PROJECTION	SIZE	REV
X = ±0.5 XX = ±0.25 XXX = ±0.13 ANGLE = ±30°			B	A
CUSTOMER APPROVAL		PART/DWG. NO:		
SIGN / DATE:		CB1.37-IPX4LLK-SALRMGT-xxIN		
ENG APPR.	P. BURDGE	06/07/2022		
CHECKED	M. HELD	06/07/2022		
DRAWN	M. LARSEN	06/07/2022	SCALE: 4:1	FILE NAME
NAME	DATE			SHEET 1 OF 1

PROPRIETARY AND CONFIDENTIAL

UNLESS OTHERWISE SPECIFIED: THIS DOCUMENT CONTAINS LIGHTHORSE TECHNOLOGIES INFORMATION. REPRODUCTION, USE, DISCLOSURE OR TRANSMITTAL OF ALL OR ANY PART OF THIS DOCUMENT IS PROHIBITED EXCEPT TO THE EXTENT APPROVED IN WRITING BY AN AUTHORIZED REPRESENTATIVE OF LIGHTHORSE TECHNOLOGIES. LIGHTHORSE TECHNOLOGIES RESERVES ALL RIGHTS UNDER PATENTS, TRADEMARKS, COPYRIGHTS AND TRADE SECRETS. COPY RIGHTS OF LIGHTHORSE TECHNOLOGIES 2011, ALL RIGHTS RESERVED.

