



- 1
- 2
- 3
- 4
- 5
- 6
- 7
- 8
- 9
- 10
- 11
- 12
- 13
- 14
- 15
- 16
- 17
- 18

BASE

Glass-fibre reinforced polyamide based (PA) technopolymer, black colour, matte finish.

STANDARD EXECUTIONS

Zinc-plated steel threaded and articulated stem with regulation hexagon:

- **LV.FO**: base without no-slip disk.
- **LV.FO-AS**: base with NBR rubber no-slip disk, hardness 70 Shore A, supplied assembled to the base.

AISI 304 stainless steel articulated and threaded stem with regulation hexagon:

- **LV.FO-SST**: base without no-slip disk.
- **LV.FO-AS-SST**: base with NBR rubber no-slip disk, hardness 70 Shore A, supplied assembled to the base.

GROUND MOUNTING

By means of two holes, supplied covered by a diaphragm (which can be easily removed by a metal tool), to avoid all unhealthy deposits of dirt and dust when only one hole is used (see Fig. 1).

FEATURES

The special knurling under the lower lip of the base provides excellent stability and grip when using the levelling element without no-slip disk even on surfaces that are not perfectly flat.

The particular assembling system of the no-slip disk to the base assures a perfect anchoring, preventing separation even in case of impact during transport or of adhesion (sticking) to the floor (see No-slip disks on page 1283).

ORDER INFORMATION

The levelling elements are supplied unassembled to make carriage and storage easier. The components (base and stem) are supplied in separate packing: less volume taken and better protection from scratches and dirt.

To order bases and stems separately, see:

- table of possible combinations Bases/Stems (see page 1292)
- the codes of the Bases (see page 1288)
- the codes of the Stems (see page 1290).

ACCESSORIES ON REQUEST

AISI 304 stainless steel or zinc-plated steel nut (see Nuts NT. on page 1283).



ELESA Original design

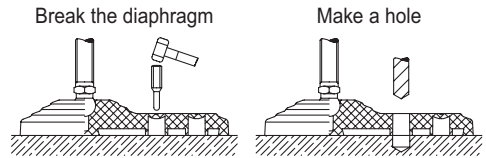
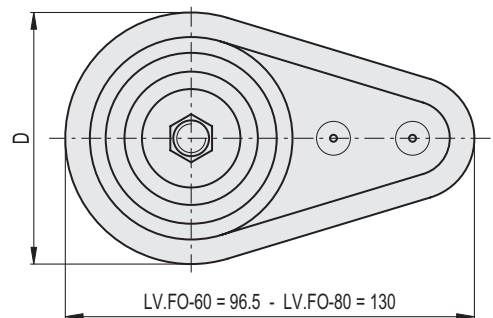
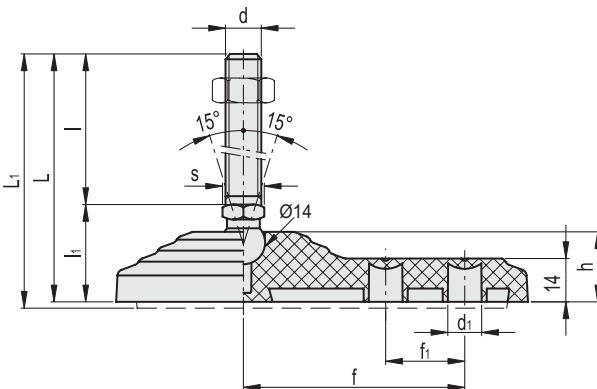


Fig. 1

Conversion Table	
1 mm = 0.039 inch	
D	
mm	inch
60	2.36
80	3.15



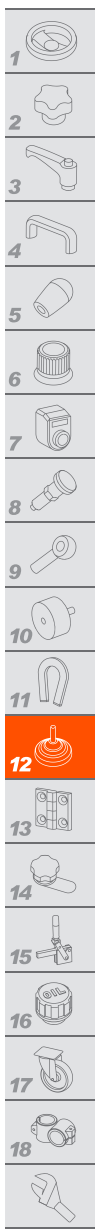
LV.FO METRIC

Code	Description	Code	Description	D	d	d1	L	L1#	l	li	h	f	f1	s	Max. limit stati load* [N]	△	△#
513011	LV.FO-60-14-M8x43	516011	LV.FO-60-14-AS-M8x43	60	M8	8.5	73	75	43	30	21	50	18	14	14000	78	94
513016	LV.FO-60-14-M8x68	516016	LV.FO-60-14-AS-M8x68	60	M8	8.5	98	100	68	30	21	50	18	14	14000	90	106
513021	LV.FO-60-14-M10x43	516021	LV.FO-60-14-AS-M10x43	60	M10	8.5	73	75	43	30	21	50	18	14	14000	87	103
513026	LV.FO-60-14-M10x68	516026	LV.FO-60-14-AS-M10x68	60	M10	8.5	98	100	68	30	21	50	18	14	14000	99	115
513031	LV.FO-60-14-M10x98	516031	LV.FO-60-14-AS-M10x98	60	M10	8.5	128	130	98	30	21	50	18	14	14000	113	129
513036	LV.FO-60-14-M12x43	516036	LV.FO-60-14-AS-M12x43	60	M12	8.5	73	75	43	30	21	50	18	14	14000	97	113
513041	LV.FO-60-14-M12x68	516041	LV.FO-60-14-AS-M12x68	60	M12	8.5	98	100	68	30	21	50	18	14	14000	114	130
513046	LV.FO-60-14-M12x98	516046	LV.FO-60-14-AS-M12x98	60	M12	8.5	128	130	98	30	21	50	18	14	14000	135	151
513047	LV.FO-60-14-M14x68	516047	LV.FO-60-14-AS-M14x68	60	M14	8.5	98	100	68	30	21	50	18	14	14000	136	152
513049	LV.FO-60-14-M14x98	516049	LV.FO-60-14-AS-M14x98	60	M14	8.5	128	130	98	30	21	50	18	14	14000	157	174
513050	LV.FO-60-14-M14x148	516050	LV.FO-60-14-AS-M14x148	60	M14	8.5	178	180	148	30	21	50	18	14	14000	240	256
513051	LV.FO-60-14-M16x68	516051	LV.FO-60-14-AS-M16x68	60	M16	8.5	98	100	68	30	21	50	18	16	14000	158	174
513056	LV.FO-60-14-M16x108	516056	LV.FO-60-14-AS-M16x108	60	M16	8.5	138	140	108	30	21	50	18	16	14000	210	226
513061	LV.FO-60-14-M16x148	516061	LV.FO-60-14-AS-M16x148	60	M16	8.5	178	180	148	30	21	50	18	16	14000	262	278
513066	LV.FO-60-14-M16x168	516066	LV.FO-60-14-AS-M16x168	60	M16	8.5	198	200	168	30	21	50	18	16	14000	288	304
513121	LV.FO-80-14-M8x43	516121	LV.FO-80-14-AS-M8x43	80	M8	10.5	74	76	43	31	22	70	25	14	16000	116	146
513125	LV.FO-80-14-M8x68	516125	LV.FO-80-14-AS-M8x68	80	M8	10.5	99	101	68	31	22	70	25	14	16000	128	158
513221	LV.FO-80-14-M10x43	516221	LV.FO-80-14-AS-M10x43	80	M10	10.5	74	76	43	31	22	70	25	14	16000	125	155
513225	LV.FO-80-14-M10x68	516225	LV.FO-80-14-AS-M10x68	80	M10	10.5	99	101	68	31	22	70	25	14	16000	137	167
513231	LV.FO-80-14-M10x98	516231	LV.FO-80-14-AS-M10x98	80	M10	10.5	129	131	98	31	22	70	25	14	16000	151	181
513321	LV.FO-80-14-M12x43	516321	LV.FO-80-14-AS-M12x43	80	M12	10.5	74	76	43	31	22	70	25	14	16000	135	165
513325	LV.FO-80-14-M12x68	516325	LV.FO-80-14-AS-M12x68	80	M12	10.5	99	101	68	31	22	70	25	14	16000	152	182
513331	LV.FO-80-14-M12x98	516331	LV.FO-80-14-AS-M12x98	80	M12	10.5	129	131	98	31	22	70	25	14	16000	173	203
513421	LV.FO-80-14-M14x68	516421	LV.FO-80-14-AS-M14x68	80	M14	10.5	99	101	68	31	22	70	25	14	16000	174	204
513431	LV.FO-80-14-M14x98	516431	LV.FO-80-14-AS-M14x98	80	M14	10.5	129	131	98	31	22	70	25	14	16000	196	225
513441	LV.FO-80-14-M14x148	516441	LV.FO-80-14-AS-M14x148	80	M14	10.5	179	181	148	31	22	70	25	14	16000	278	308
513521	LV.FO-80-14-M16x68	516521	LV.FO-80-14-AS-M16x68	80	M16	10.5	99	101	68	31	22	70	25	16	16000	196	226
513525	LV.FO-80-14-M16x108	516525	LV.FO-80-14-AS-M16x108	80	M16	10.5	139	141	108	31	22	70	25	16	16000	248	278
513541	LV.FO-80-14-M16x148	516541	LV.FO-80-14-AS-M16x148	80	M16	10.5	179	181	148	31	22	70	25	16	16000	300	330
513561	LV.FO-80-14-M16x168	516561	LV.FO-80-14-AS-M16x168	80	M16	10.5	199	201	168	31	22	70	25	16	16000	326	356

LV.FO-SST INOX STAINLESS STEEL METRIC

533011	LV.FO-60-14-SST-M8x43	535901	LV.FO-60-14-AS-SST-M8x43	60	M8	8.5	73	75	43	30	21	50	18	14	14000	79	95
533016	LV.FO-60-14-SST-M8x68	535906	LV.FO-60-14-AS-SST-M8x68	60	M8	8.5	98	100	68	30	21	50	18	14	14000	91	107
533021	LV.FO-60-14-SST-M10x43	535911	LV.FO-60-14-AS-SST-M10x43	60	M10	8.5	73	75	43	30	21	50	18	14	14000	88	104
533026	LV.FO-60-14-SST-M10x68	535916	LV.FO-60-14-AS-SST-M10x68	60	M10	8.5	98	100	68	30	21	50	18	14	14000	101	117
533031	LV.FO-60-14-SST-M10x98	535921	LV.FO-60-14-AS-SST-M10x98	60	M10	8.5	128	130	98	30	21	50	18	14	14000	115	131
533036	LV.FO-60-14-SST-M12x43	535926	LV.FO-60-14-AS-SST-M12x43	60	M12	8.5	73	75	43	30	21	50	18	14	14000	98	114
533041	LV.FO-60-14-SST-M12x68	535931	LV.FO-60-14-AS-SST-M12x68	60	M12	8.5	98	100	68	30	21	50	18	14	14000	116	132
533046	LV.FO-60-14-SST-M12x98	535936	LV.FO-60-14-AS-SST-M12x98	60	M12	8.5	128	130	98	30	21	50	18	14	14000	138	154
533047	LV.FO-60-14-SST-M14x68	535937	LV.FO-60-14-AS-SST-M14x68	60	M14	8.5	98	100	68	30	21	50	18	14	14000	139	155
533049	LV.FO-60-14-SST-M14x98	535939	LV.FO-60-14-AS-SST-M14x98	60	M14	8.5	128	130	98	30	21	50	18	14	14000	160	176
533050	LV.FO-60-14-SST-M14x148	535940	LV.FO-60-14-AS-SST-M14x148	60	M14	8.5	178	180	148	30	21	50	18	14	14000	243	259
533051	LV.FO-60-14-SST-M16x68	535941	LV.FO-60-14-AS-SST-M16x68	60	M16	8.5	98	100	68	30	21	50	18	16	14000	161	177
533056	LV.FO-60-14-SST-M16x108	535946	LV.FO-60-14-AS-SST-M16x108	60	M16	8.5	138	140	108	30	21	50	18	16	14000	215	231
533061	LV.FO-60-14-SST-M16x148	535951	LV.FO-60-14-AS-SST-M16x148	60	M16	8.5	178	180	148	30	21	50	18	16	14000	268	284
533066	LV.FO-60-14-SST-M16x168	535956	LV.FO-60-14-AS-SST-M16x168	60	M16	8.5	198	200	168	30	21	50	18	16	14000	295	311
533121	LV.FO-80-14-SST-M8x43	536121	LV.FO-80-14-AS-SST-M8x43	80	M8	10.5	74	76	43	31	22	70	25	14	16000	117	147
533125	LV.FO-80-14-SST-M8x68	536125	LV.FO-80-14-AS-SST-M8x68	80	M8	10.5	99	101	68	31	22	70	25	14	16000	129	159
533221	LV.FO-80-14-SST-M10x43	536221	LV.FO-80-14-AS-SST-M10x43	80	M10	10.5	74	76	43	31	22	70	25	14	16000	126	156
533225	LV.FO-80-14-SST-M10x68	536225	LV.FO-80-14-AS-SST-M10x68	80	M10	10.5	99	101	68	31	22	70	25	14	16000	139	169
533231	LV.FO-80-14-SST-M10x98	536231	LV.FO-80-14-AS-SST-M10x98	80	M10	10.5	129	131	98	31	22	70	25	14	16000	153	183
533321	LV.FO-80-14-SST-M12x43	536321	LV.FO-80-14-AS-SST-M12x43	80	M12	10.5	74	76	43	31	22	70	25	14	16000	136	166
533325	LV.FO-80-14-SST-M12x68	536325	LV.FO-80-14-AS-SST-M12x68	80	M12	10.5	99	101	68	31	22	70	25	14	16000	154	184
533331	LV.FO-80-14-SST-M12x98	536331	LV.FO-80-14-AS-SST-M12x98	80	M12	10.5	129	131	98	31	22	70	25	14	16000	176	206
533421	LV.FO-80-14-SST-M14x68	536421	LV.FO-80-14-AS-SST-M14x68	80	M14	10.5	99	101	68	31	22	70	25	14	16000	177	207
533431	LV.FO-80-14-SST-M14x98	536431	LV.FO-80-14-AS-SST-M14x98	80	M14	10.5	129	131	98	31	22	70	25	14	16000	198	228
533441	LV.FO-80-14-SST-M14x148	536441	LV.FO-80-14-AS-SST-M14x148	80	M14	10.5	179	181	148	31	22	70	25	14	16000	281	311
533521	LV.FO-80-14-SST-M16x68	536521	LV.FO-80-14-AS-SST-M16x68	80	M16	10.5	99	101	68	31	22	70	25	16	16000	199	229
533525	LV.FO-80-14-SST-M16x108	536525	LV.FO-80-14-AS-SST-M16x108	80	M16	10.5	139	141	108	31	22	70	25	16	16000	253	283
533541	LV.FO-80-14-SST-M16x148	536541	LV.FO-80-14-AS-SST-M16x148	80	M16	10.5	179	181	148	31	22	70	25	16	16000	306	336
533561	LV.FO-80-14-SST-M16x168	536561	LV.FO-80-14-AS-SST-M16x168	80	M16	10.5	199	201	168	31	22	70	25	16	16000	333	363

* The max static load is the value above which the load applied to the element may cause some plastic material breakage, in particular conditions of use. Obviously, a factor that takes into consideration the importance and the safety level of the specific application must be applied to this value.
Data with no-slip disk mounted.



Levelling elements and supports