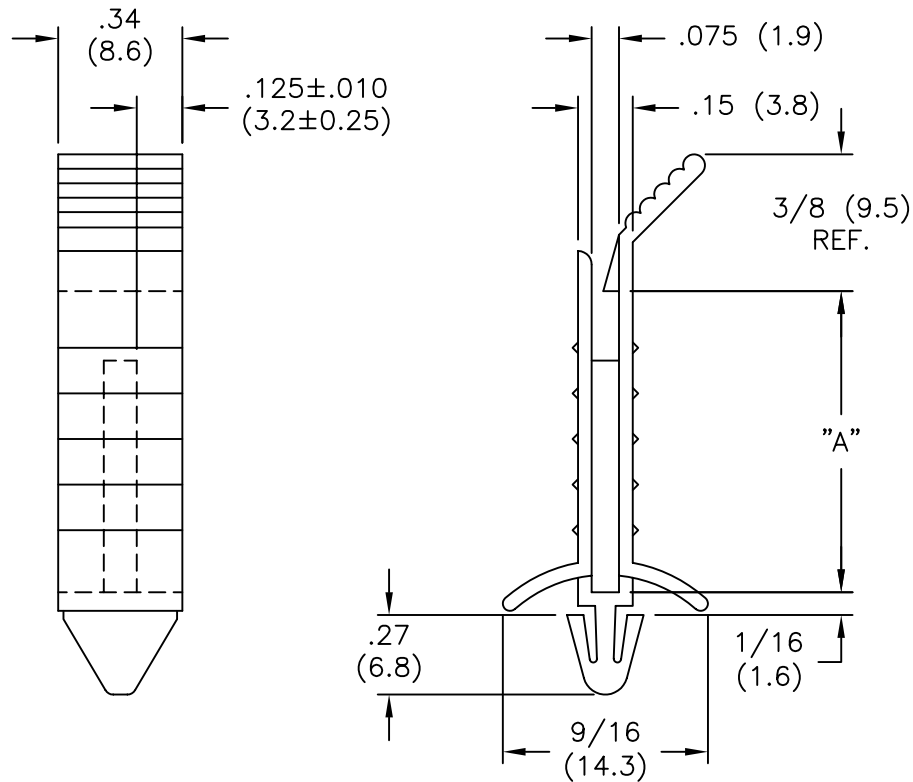
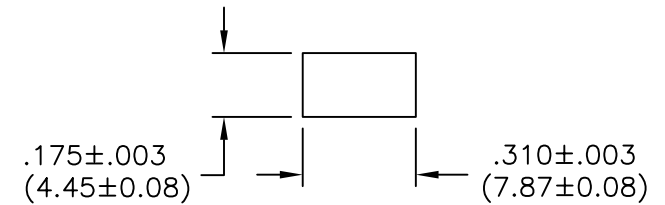


PART NO.	"A"±.010
LCBG-1T-01	.880 (22.4)
LCBG-1.5T-01	1.375 (34.9)
LCBG-2T-01	1.870 (47.5)
LCBG-3T-01	2.875 (73.0)



RECOMMENDED MOUNTING HOLE



BOARD THICKNESS: .030-.070 (0.76-1.78)

NOTES:

- MATERIAL: NYLON 6/6 (RMS-01).  
FLAME RETARDANT NYLON (RMS-19).  
AVAILABLE BY SPECIAL ORDER ONLY.
- COLOR: NATURAL.

TITLE: LOCKING CIRCUIT BOARD GUIDE				DWG IN IN (MM)	FINAL	PRINT TYPE
TOLERANCES UNLESS NOTED .XX=±.010 .XXX=±.005 FRAC=±1/64 ANG=±1°	FILE # LCBG-T	DWN: S.M.	APP:	PART # SEE TABLE	CA	
	MAT'L: SEE NOTES	DT: 12/03/01	DT:			
	RE: RICHCO, INC.	RICHCO INC. PO BOX 804238, CHICAGO, 60680 (773) 539-4060				

REV	DESCRIPTION	ENGR	DATE