

PuIM-10G4SF-MLX

Mellanox ConnectX-4 Lx based Network Interface Card support Quad 10GbE with 4 x SFP+ by 2 PCIe 3.0 x4 Interface.



Features

- 2 x Mellanox ConnectX-4
- 4 x 10 GbE SFP+ connectors
- 2 PCIe 3.0 x4
- RoHS compliant

Specifications

Model Name	PuIM-10G4SF-MLX		PuIM-10G4SF/T-MLX
Form Factor	IEI Networking Module		
NIC	Mellanox ConnectX-4		
LAN Interface	SFP+		
Speed	1GbE/ 10GbE		
Ports	4		
Host Interface	2 PCIe 3.0 x4		
Storage Temp.	-20°C ~ 75°C (-4°F ~ 167°F)		
Operating Temp.	0°C ~ 40°C (32°F ~ 104°F)		
Humidity	5% ~ 90% RH, Non-condensing		
Dimensions (mm)	165.50 (L) x 77.8 (W) x 44.2 (H)		
Compliance	RoHS		
Support Device	PUZZLE-IN001 PUZZLE-IN001A PUZZLE-IN004	PUZZLE-A001 PUZZLE-A001A	PUZZLE-IN005

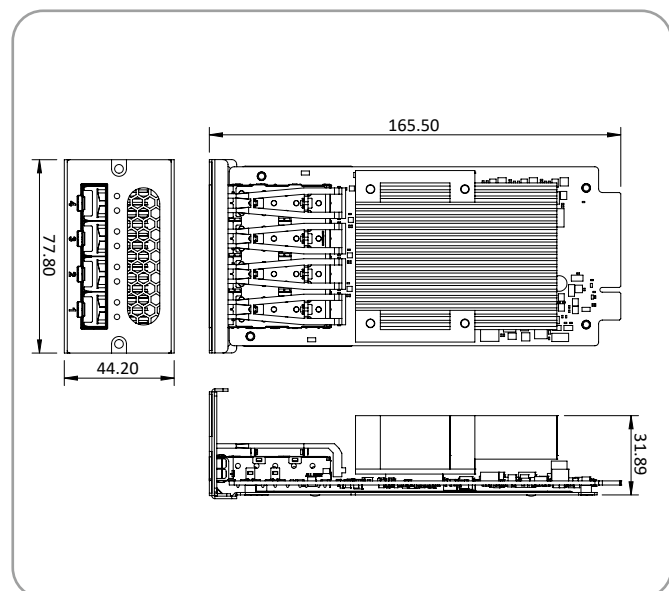
Ordering Information

Part No.	Description
PuIM-10G4SF-MLX-R10	Mellanox ConnectX-4 Lx based Network Interface Card support Quad 10GbE with 4 x SFP+ by 2 PCIe 3.0 x4 Interface, RoHS.
PuIM-10G4SF/T-MLX-R10	Mellanox ConnectX-4 Lx based Network Interface Card support Quad 10GbE with 4 x SFP+ by 2 PCIe 3.0 x4 Interface, RoHS.

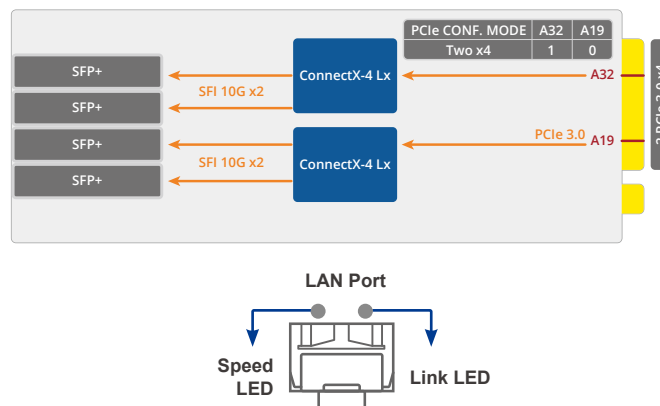
Packing List

Part No.	L-shaped T10 PuIM Wrench	Torx Screws	QIG
PuIM-10G4SF-MLX-R10	1	2	1
PuIM-10G4SF/T-MLX-R10	N/A	N/A	1

Dimensions (Unit: mm)



Block Diagram



LED	State	Description
Link (Right)	Yellow	Active
Speed (Left)	Green	10 Gbps data rate
	Off	1 Gbps/100 Mbps data rate