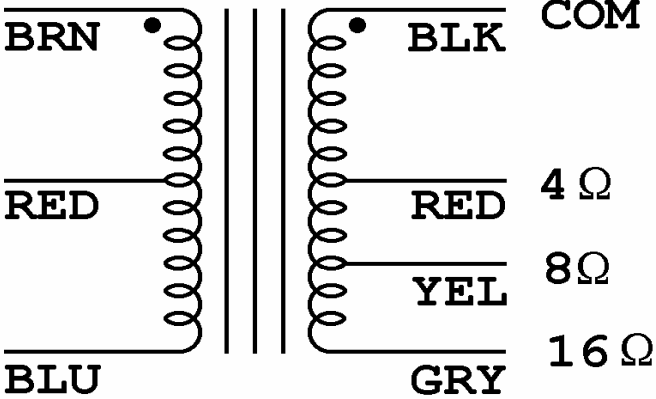
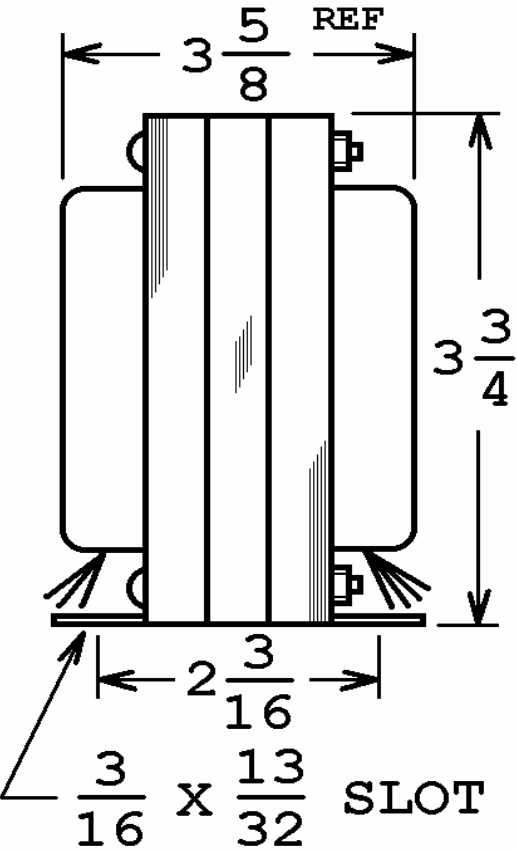


This drawing is the property of Magnetic Components, Inc. and shall not be reproduced, in whole or in part, without the written permission of Magnetic Components, Inc.

REVISIONS			
LTR	DESCRIPTION	DATE	APPROVED
A	DELETE OUTLINE DRAWING NUMBER	04/26/11	M. Sacketti



PRIMARY = 6.6K Ω C.T.  
POWER LEVEL = 30 WATTS

UNLESS OTHERWISE SPECIFIED ALL DIMENSIONS IN INCHES DO NOT SCALE DRAWING FRACTIONS +/- .X = +/- .XX = +/- .XXX = +/- ANGLES = +/-	SIGNATURES		DATE	MAGNETIC COMPONENTS, INC.		DIV : LOC : SCHILLER PK	
	DRAWN : <i>M. Sacketti</i>		04 MAR 11	TITLE OUTPUT TRANSFORMER			
	CHECK :						
	APPR : <i>M. Sacketti</i>		04 MAR 11	CAGE 50508	SIZE A	PART No. 40-18064	REV A
			SCALE NONE				SHEET :