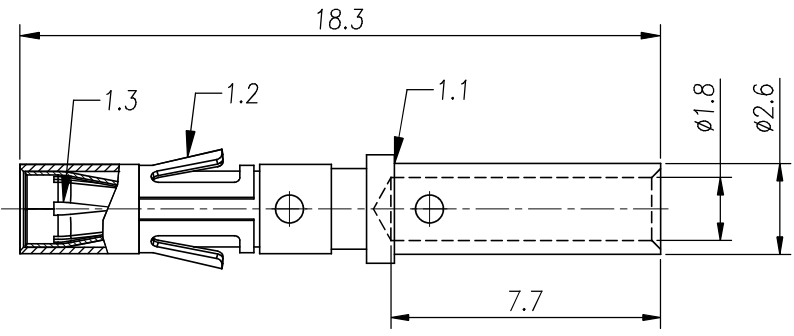


REVISIONS					
REV	ECO	DESCRIPTION	DATE	BY	APPR
B1	-	RELEASED DRAWING	JAN-18-2014	ARROW	TOMMY



- NOTES : (UNLESS OTHERWISE SPECIFIED)**
- MATERIAL :**
 - CONTACT BODY : COPPER ALLOY.**
 - POSITIONING CLIP : COPPER ALLOY.**
 - CROWN CONTACT : COPPER ALLOY.**
 - SPECIFICATIONS :**
 - CURRENT RATING : 13A(MAX).**
 - TERMINATION TYPE : CRIMPING.**
 - WIRE RANGE : 16~18AWG.**
 - SUITABLE SOCKET TYPE : MP16M23xx.**
 - ROHS COMPLIANT.**
 - ALL DIMENSIONS ARE FOR REFERENCE USE ONLY.**

P/N	CONTACT PLATING(MATING AREA)
MS16M23T	TIN PLATING OVER NICKEL.
MS16M23S	SILVER PLATING OVER NICKEL.
MS16M23F	GOLD FLASH PLATING OVER NICKEL.
MS16M23G10	10μ" GOLD PLATING OVER NICKEL.
MS16M23G15	15μ" GOLD PLATING OVER NICKEL.
MS16M23G30	30μ" GOLD PLATING OVER NICKEL.

QUANTITY	PART NUMBER	DESCRIPTION	ITEM										
MATERIALS LIST													
<small>UNLESS OTHERWISE SPECIFIED</small> 1) All dimensions are in metric(mm). 2) Tolerances are as follows: 1 PL DEC ±0.30 Fractions ±1/64 2 PL DEC ±0.15 Angles ±1° 3 PL DEC ±0.08 3) Note reference =		<table border="1"> <tr> <th>SIGNATURES</th> <th>DATE</th> </tr> <tr> <td>DRAWN: ARROW</td> <td>JAN-17-2014</td> </tr> <tr> <td>CHECKED:</td> <td></td> </tr> <tr> <td>ENGINEER:</td> <td></td> </tr> <tr> <td>APPROVAL:</td> <td></td> </tr> </table>	SIGNATURES	DATE	DRAWN: ARROW	JAN-17-2014	CHECKED:		ENGINEER:		APPROVAL:		<p style="text-align: center;">Amphenol</p> <p>Sine Systems - www.amphenol-sine.com 44724 Morley Drive Clinton Township, MI 48036</p>
SIGNATURES	DATE												
DRAWN: ARROW	JAN-17-2014												
CHECKED:													
ENGINEER:													
APPROVAL:													
<small>MATERIAL SPECIFICATIONS:</small> THIS DRAWING IS SUPPLIED FOR INFORMATION ONLY. DESIGN FEATURES, SPECIFICATIONS AND PERFORMANCE DATA SHOWN HEREON ARE THE PROPERTY OF THE AMPHENOL CORPORATION. NO RIGHTS OF REPRODUCTION ARE IMPLIED. ALL DIMENSIONS ARE SUBJECT TO NORMAL MANUFACTURING VARIATIONS.		<table border="1"> <tr> <td>SIZE</td> <td>TYPE</td> <td>DWG NO.</td> <td>REVISION</td> </tr> <tr> <td>B</td> <td>C-</td> <td>MS16M23xx</td> <td>B1</td> </tr> </table>	SIZE	TYPE	DWG NO.	REVISION	B	C-	MS16M23xx	B1			
SIZE	TYPE	DWG NO.	REVISION										
B	C-	MS16M23xx	B1										
<small>PROCESS SPECIFICATIONS:</small> NEXT ASSY:		<table border="1"> <tr> <td>SCALE</td> <td>NONE</td> <td>SHEET</td> <td>1</td> <td>OF</td> <td>1</td> </tr> </table>	SCALE	NONE	SHEET	1	OF	1					
SCALE	NONE	SHEET	1	OF	1								

TITLE: ECO-MATE SOCKET CONTACT MACHINE, 16-18AWG, SIZE 16
 DWG NO.: MS16M23xx
 REV: B1
 SH: 1
 OF: 1