

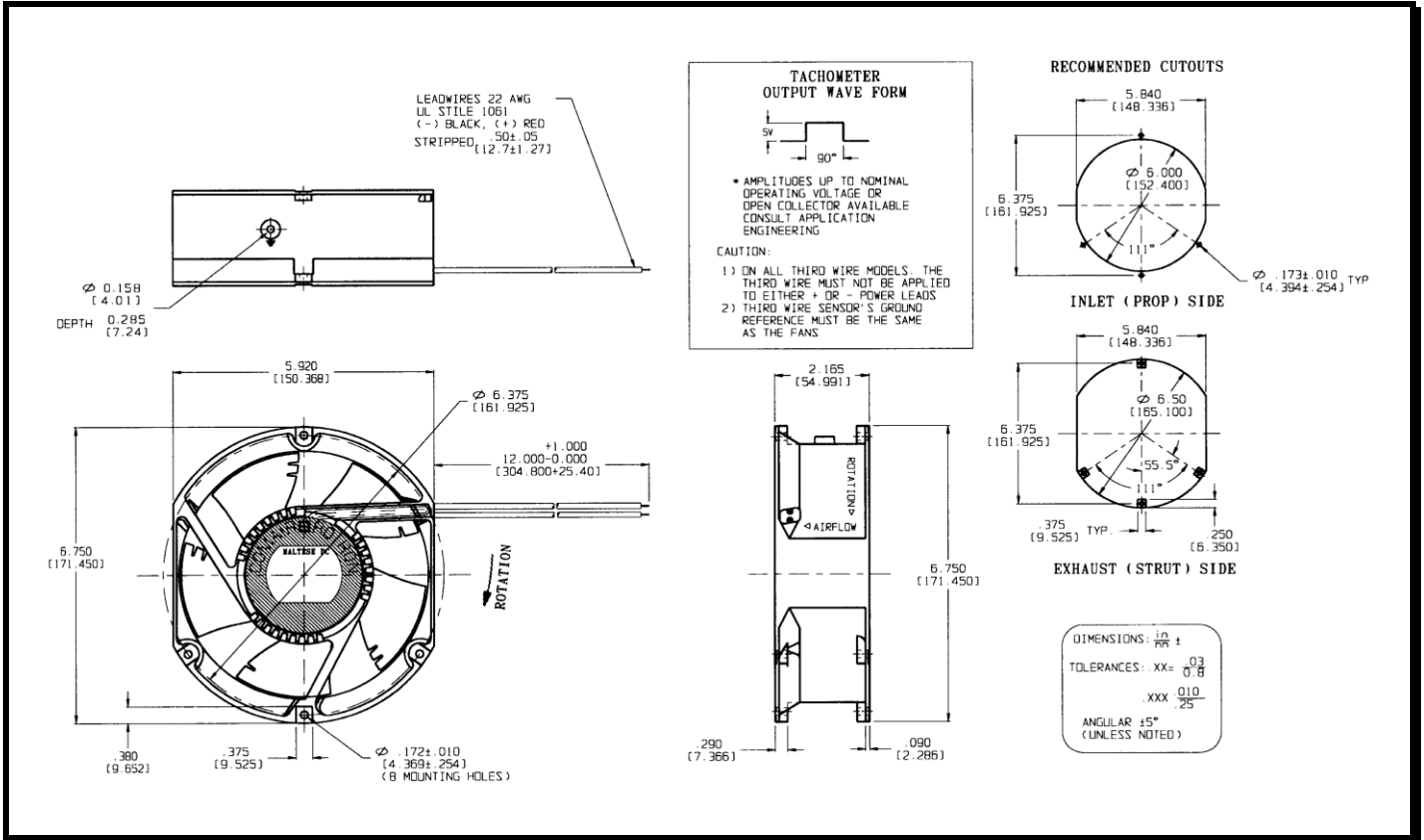
SPECIFICATIONS



Model Number: MT24B4
Part Number: 19031897A

Version: 01
Feb 26, 2021

Mechanical Drawing:



Motor:

Nominal Voltage = 24 vdc
 Operating Voltage Range = 12 - 28 vdc
 Nominal Running Current = 1.70 amps
 Max. Locked Rotor Current = 3.50 amps
 Running Power = 35.5 watts
 Average Speed = 3450 RPM
 Bearings = Ball
 Air Flow = 300 CFM
 Acoustic = 57.1 dBA

Construction:

Venturi: Single Piece Die-cast Aluminum, Black.
 Propeller: Plastic, Black, UL 94V-0.

Life Expectancy:

This fan is designed for continuous duty life of 76,000 hours at 40°C.

Additional Features:

Brushless DC Motor
 Electronic Locked Rotor Protected
 Polarity Protected
 Automatic Restart Capability
 Operating Temperature: -10°C to 70°C
 Storage Temperature: -40°C to 85°C

Termination:

0.120" Terminals

Agency Approved:

UL, CUL, CE

PQ Curve:

